



COLUMN S9603 - 13/52W

Surface mount LED downlight, with three (3) sizes to select

Application

Apartment foyers, commercial walkways, surface mount installation restrictions.

Design Specifications

- Die cast aluminium body profile, concealed mounting screws and matt white powder coat finish, optional black finish to order
- Deep recessed angle fitting provides excellent glare control and light distribution
- High output COB LED , with changeable multi-faceted reflector system
- Integral constant current, non-dimmable LED driver, 13 watt to 52 watt capacity
- Beam angle 36 standard, S9603/80 optional 15/24/50, S9603/150 optional 10/20/40/70



COOL WHITE
4000K

Technical Specification

Model No.	Input Voltage (V/AC)	Power (W)	Lumens (lm)	CCT (K)	Beam Angle (°)	CRI
S9603/80/15CW	240	13	1500	4000	36	80
S9603/80/20CW	240	20	2000	4000	36	80
S9603/110/25CW	240	18	2500	4000	30	80
S9603/110/25WW/BK	240	18	2500	3000	30	80
S9603/110/34CW	240	28	3400	4000	28	80
S9603/150/42CW	240	34	4200	4000	30	80
S9603/150/49CW	240	38	4900	4000	30	80
S9603/150/62CW	240	52	6200	4000	30	80



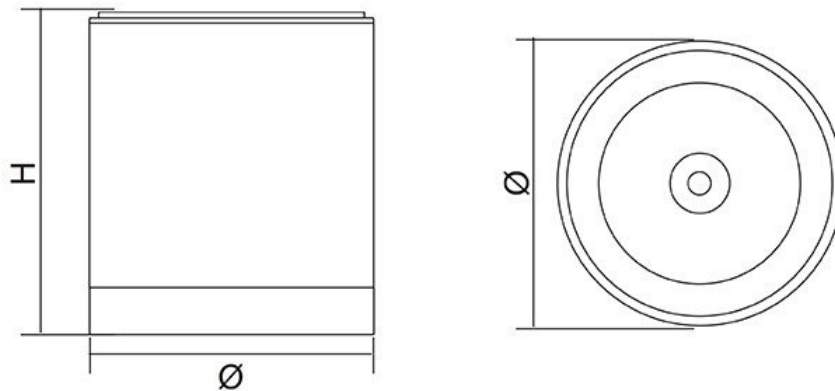
Technical Specification

Model No.	Body Colour	Dim (mm)
S9603/80/15CW	matt white	80(W) x 126(H)
S9603/80/20CW	matt white	80(W) x 126(H)
S9603/110/25CW	matt white	110(W) x 148(H)
S9603/110/25WW/BK	black	110(W) x 148(H)
S9603/110/34CW	matt white	110(W) x 148(H)
S9603/150/42CW	matt white	150(W) x 171(H)
S9603/150/49CW	matt white	150(W) x 171(H)
S9603/150/62CW	matt white	150(W) x 171(H)

Due to continued product and technology enhancements, data sourced from sal.net.au shall not form part of any contract and or technical performance guarantee unless expressly confirmed in writing by SAL at the time of order. Products are sold in accordance with [SAL Terms and Conditions of sale](#) and all images shown are for illustration purposes only and may vary from the actual colour or finish. Unless specifically stated, all IP ratings nominated for Interior products are from "below the ceiling".

Dimensions

S9603



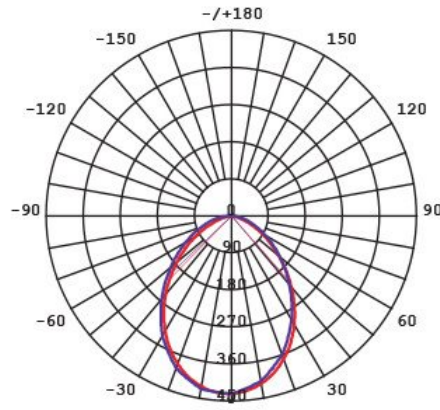
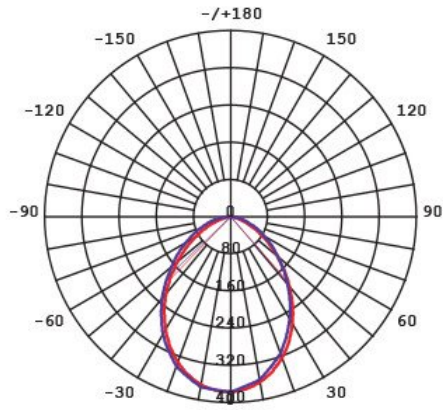


Photometric Data

Unit: cd C0/C180 _____ C90/C270 _____

S9603/80/15CW at 4000K

S9603/150/49CW at 4000K



Product Images

