



BUNKER 15 OVAL SENSOR SL7271TC - 15W

LED 15 watt surface mount oval shaped bunker, IP54, PIR sensor and selectable colour temperature control

Application

A robust solution for residential and apartment interior or exterior spaces

Design Specifications

- Durable UV resistant white or black polycarbonate body, opal polycarbonate diffuser
- Integral control gear, 15 watt with PIR sensor control, fixed 30 seconds ON, 7 metres detection distance, daylight threshold > 20 lux
- CRI > 80, 1050lm
- Quick connect installation design
- Robust IK08 protection
- Double insulation



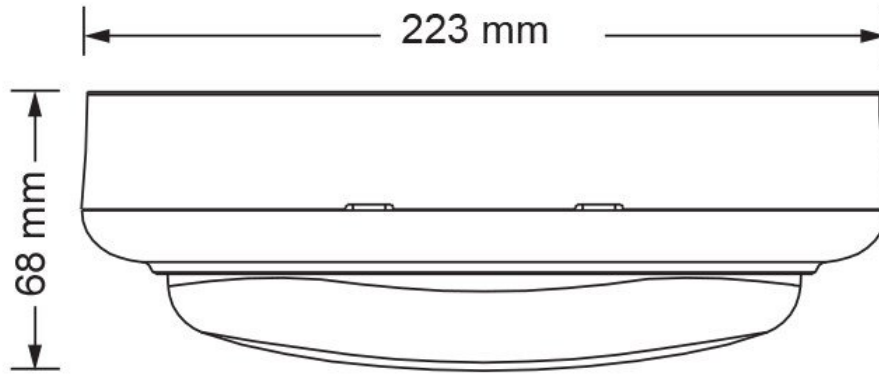
Technical Specification

Model No.	Input Voltage (V/AC)	Power (W)	Lumens (lm)	CCT (K)	CRI	Beam Angle (°)
SL7271TC/WH/S	240	15	1400/1500/1450	3000/4000/6500	80	110
SL7271TC/BK/S	240	15	1400/1500/1450	3000/4000/6500	80	110

Model No.	Body Colour	Dim (mm)
SL7271TC/WH/S	WHITE	233(L) x 133(W) x 68(H)
SL7271TC/BK/S	BLACK	233(L) x 133(W) x 68(H)

Due to continued product and technology enhancements, data sourced from sal.net.au shall not form part of any contract and or technical performance guarantee unless expressly confirmed in writing by SAL at the time of order. Products are sold in accordance with [SAL Terms and Conditions of sale](#) and all images shown are for illustration purposes only and may vary from the actual colour or finish. Unless specifically stated, all IP ratings nominated for Interior products are from "below the ceiling".

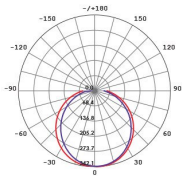
Dimensions



Photometric Data

Unit: cd C0/C180 — C90/C270 —

SL7271CW/WH at 4000K





PIXIE AMBIENCE, CHANGE YOUR COLOUR TO MATCH YOUR STYLE.

The innovative PIXIE AMBIENCE SWITCH PLATES have been designed with the end user and installer in mind, allowing you to change the colour face plate as fashion demands.

For more
information
please
scan me

