



BENTO S9691 - 5/38W

Square profile IP44 LED downlight

Application

Ideal for any residential or commercial interior space

Design Specifications

- Square bezel combined with a round body to suit a round cut out
- Deep recessed angle fitting enables precise optical control
- Durable die-cast aluminium body profile, stylish white matt powder coat finish
- S9691/85 and S9691/110 optional beam distributions 15/24/50. S9691/135 and S9691/160 optional beam distributions 10/20/40/70
- High output COB LED chip design with a changeable multi-reflector system
- Constant current non-dimmable LED driver (see table for options), complete with flex and plug



Performance

Dimmable - **OPTIONAL**

Dimmer Type - **Trailing edge, 1-10V,**

DALI/DSI (excluding S9691/135 and S9691/160)

Technical Specification

Model No.	Description	Input Voltage (V/AC)	Power (W)	Lumens (lm)	CCT (K)	Beam Angle (°)
S9691/85/7CW	LED D/LIGHT 5W SQ. IP44 4K WH	240	5	700	4000	36
S9691/85/10CW	LED D/LIGHT 8W SQ. IP44 4K WH	240	8	1000	4000	36
S9691/110/15CW	LED D/LIGHT 13W SQ. IP44 4K WH	240	13	1500	4000	36
S9691/135/34CW	LED D/LIGHT 27W SQ. IP44 4K WH	240	27	3400	4000	30
S9691/135/42CW	LED D/LIGHT 34W SQ. IP44 4K WH	240	34	4200	4000	30
S9691/135/49CW	LED D/LIGHT 38W SQ. IP44 4K WH	240	38	4900	4000	30
S9691/160/42CW	LED D/LIGHT 34W SQ. IP44 4K WH	240	34	4200	4000	30
S9691/160/49CW	LED D/LIGHT 38W SQ. IP44 4K WH	240	38	4900	4000	30



Technical Specification

Model No.	Dimmable	CRI	Body Colour	Dim (mm)
S9691/85/7CW	YES	80	matt white	85(W) x 76(H)
S9691/85/10CW	YES	80	matt white	85(W) x 76(H)
S9691/110/15CW	YES	80	matt white	110(W) x 92(H)
S9691/135/34CW	OPTIONAL	80	matt white	135(W) x 127(H)
S9691/135/42CW	OPTIONAL	80	matt white	135(W) x 127(H)
S9691/135/49CW	OPTIONAL	80	matt white	135(W) x 127(H)
S9691/160/42CW	OPTIONAL	80	matt white	160(W) x 134(H)
S9691/160/49CW	OPTIONAL	80	matt white	160(W) x 134(H)

Note: IC4 rating applicable to S9691/85 and S9691/110 only.

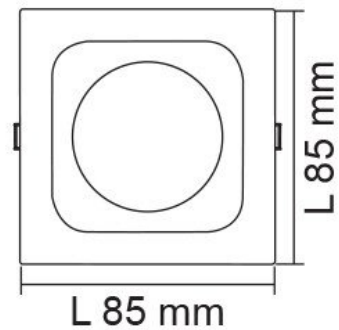
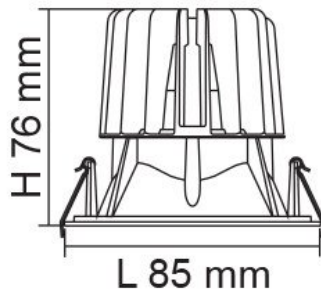
Due to continued product and technology enhancements, data sourced from sal.net.au shall not form part of any contract and or technical performance guarantee unless expressly confirmed in writing by SAL at the time of order. Products are sold in accordance with [SAL Terms and Conditions of sale](#) and all images shown are for illustration purposes only and may vary from the actual colour or finish. Unless specifically stated, all IP ratings nominated for Interior products are from "below the ceiling".

Dimensions



S9691/85

Dimensions

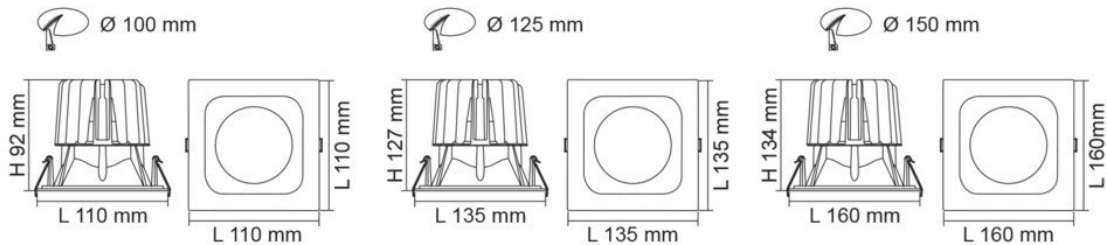




S9691/110

S9691/135

S9691/160

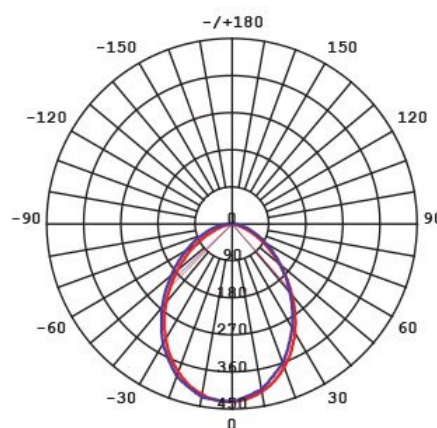
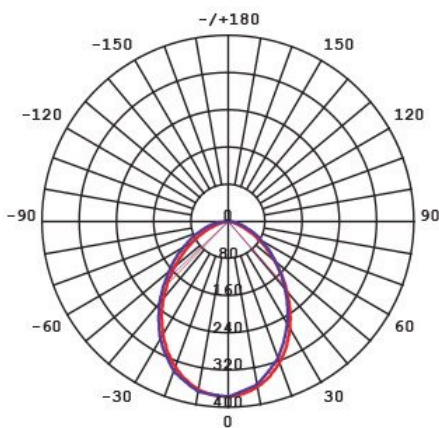


Photometric Data

Unit: cd C0/C180 ——— C90/C270 ———

S9691/85/10CW at 4000K

S9691/160/49CW at 4000K





Product Images



S9691/85

Dimensions

