



ANOVA S9105 - 4W

Compact 4 watt recessed LED cabinet luminaire

Application

Ideal for any residential or commercial interior space

Design Specifications

- Durable die-cast aluminium body profile
- Quality white powder coat or satin nickel plated finish
- High efficiency SMD LED chips
- Suitable driver - PLUTO EGL12V/6W, PLUTO 15DV, 30DV, 50DV
- 12V DC LED driver required
- Low profile design



Technical Specification

Model No.	Description	Input Voltage (V/DC)	Power (W)	Lumens (lm)	CCT (K)	CRI
S9105WW/WH	LED CABINET LIGHT 12V 3K WH	12	4	280	3000	80
S9105CW/WH	LED CABINET LIGHT 12V 4K WH	12	4	280	4000	80
S9105DL/WH	LED CABINET LIGHT 12V 6K WH	12	4	280	6000	80
S9105WW/SN	LED CABINET LIGHT 12V 3K SN	12	4	280	3000	80
S9105DL/SN	LED CABINET LIGHT 12V 6K SN	12	4	280	6000	80
S9105CW/SN	LED CABINET LIGHT 12V 4K SN	12	4	280	4000	80

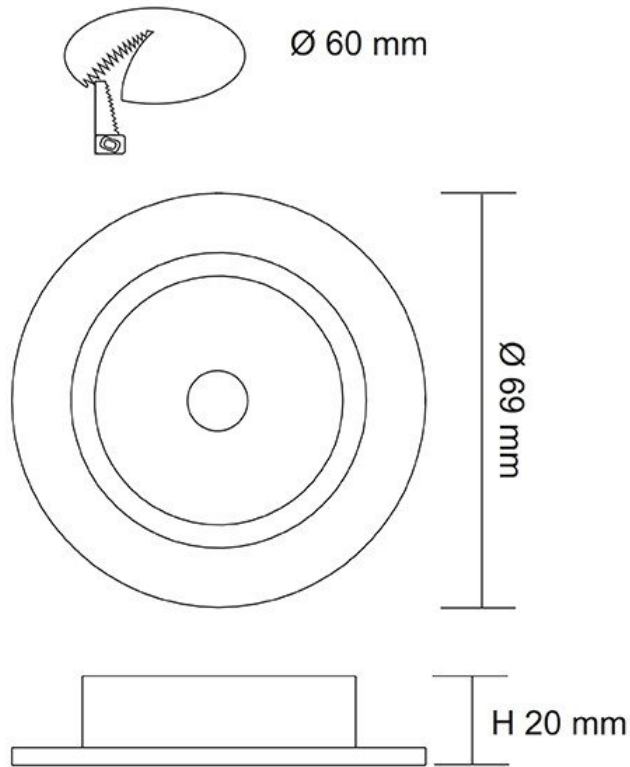
Technical Specification

Model No.	Beam Angle (°)	Dimmable	Dim (mm)	Diameter (mm)	Body Colour
S9105WW/WH	90	NO	20(H)	69	WHITE
S9105CW/WH	90	NO	20(H)	69	WHITE
S9105DL/WH	90	NO	20(H)	69	WHITE
S9105WW/SN	90	NO	20(H)	69	SATIN NICKEL
S9105DL/SN	90	NO	20(H)	69	SATIN NICKEL
S9105CW/SN	90	NO	20(H)	69	SATIN NICKEL

Due to continued product and technology enhancements, data sourced from sal.net.au shall not form part of any contract and or technical performance guarantee unless expressly confirmed in writing by SAL at the time of order. Products are sold in accordance with [SAL Terms and Conditions of sale](#) and all images shown are for illustration purposes only and may vary from the actual colour or finish. Unless specifically stated, all IP ratings nominated for Interior products are from "below the ceiling".

Dimensions

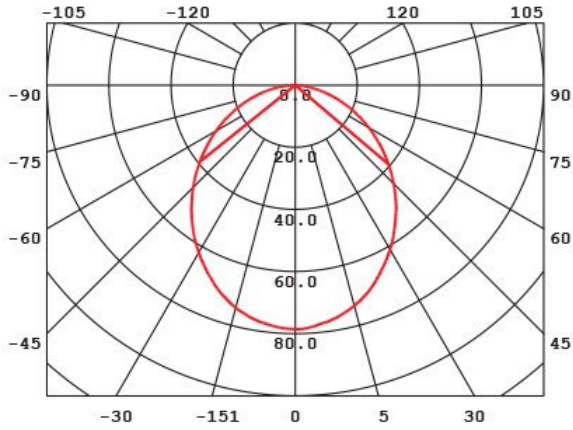
S9105



Photometric Data

Unit: cd C0/C180 _____ C90/C270 _____

S9105WW ST at 3000K



Product Images

