



ADAPTOR PLATE S9933

Interior downlight adaptor plates

Application

Residential or Commercial interior spaces

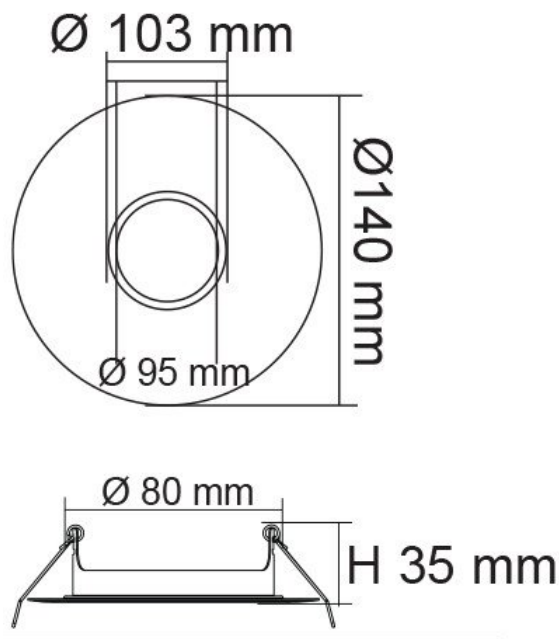
Design Specifications

- Pressed steel plate, white powder coat finish
- Suits SAL S9003, S9041, S9046, S9146, S9048, S9141, S9841
- Model number - S9933WW
- Dimensions: internal 95mm, overall 140mm
- Cut outs for reducer rings S9922, S9923 refer dimensions



Due to continued product and technology enhancements, data sourced from sal.net.au shall not form part of any contract and or technical performance guarantee unless expressly confirmed in writing by SAL at the time of order. Products are sold in accordance with [SAL Terms and Conditions of sale](#) and all images shown are for illustration purposes only and may vary from the actual colour or finish. Unless specifically stated, all IP ratings nominated for Interior products are from "below the ceiling".

Dimensions

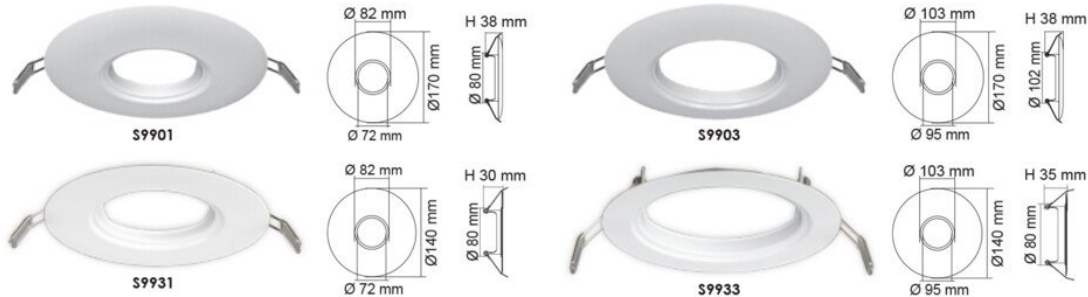


ADAPTOR PLATE S9901, S9903, S9931, S9933

Interior downlight adaptor plates

Design Specifications

- Pressed steel plate, black, satin nickel, matt white, or gloss white powder coat finish



Technical Specifications

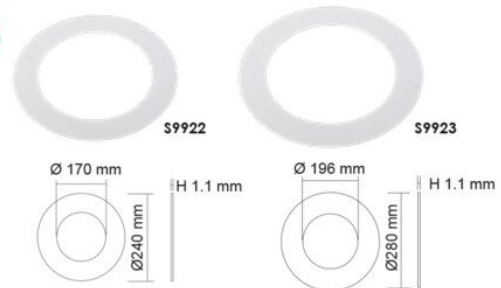
Model No.	Internal (D mm)	Overall (D mm)	Colour	Suits
S9901BK	72	170	Black	S9001BK
S9901SN	72	170	Satin Nickel	S9001SN, S9045SN
S9901WH	72	170	Matt White	S9140WH, S9145WH, S9001WH, S9045WH
S9903BK	95	170	Black	S9003BK
S9903SN	95	170	Satin Nickel	S9003SN, S9046SN
S9903WH	95	170	Matt White	S9146WH, S9048WH, S9141WH, S9842WH
S9903GWH	95	170	Gloss White	S9041WH, S9046WH
S9931WH	72	140	Matt White	S9145WH
S9933WH	95	140	Matt White	S9146WH, S9048WH, S9141WH, S9842WH

REDUCER RINGS S9922, S9923

Interior downlight adaptor plates

Design Specifications

- Adaptor plate, gloss white powder coat finish



Technical Specifications

Model No.	Internal (D mm)	Overall (D mm)	Colour	Suits
S9922	170	240	White	S9522, S9074, S9545, S9656
S9923	196	280	White	S9523, S9075

For terms and conditions of catalogue data use, refer to INDEX



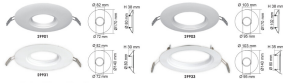
Product Images

ADAPTOR PLATE 59901, 59903, 59931, 59933

Interior downlight adaptor plates

Design Specifications

- Precast steel plate, black, soft nickel, matt white, or glass white powder coat finish



Technical Specifications

Model No.	Internal (D mm)	Overall (D mm)	Colour	Subs
59901K	12	170	Black	59901K
59901N	12	170	Soft Nickel	59901N, 59901M
59901W	12	170	Soft White	59901W, 59901Y, 59901Z, 59901V, 59901U
59903K	16	170	Black	59903K
59903N	16	170	Soft Nickel	59903N, 59903M
59903W	16	170	Soft White	59903W, 59903Y, 59903Z, 59903V, 59903U
59931K	19	190	Black	59931K
59931N	19	190	Soft Nickel	59931N, 59931M
59931W	19	190	Soft White	59931W, 59931Y, 59931Z, 59931V, 59931U
59933K	24	240	Black	59933K
59933N	24	240	Soft Nickel	59933N, 59933M
59933W	24	240	Soft White	59933W, 59933Y, 59933Z, 59933V, 59933U

REDUCER RINGS 59922, 59923

Interior downlight adaptor plates

Design Specifications

- Adaptor plate, glass white powder coat finish



Technical Specifications

Model No.	Internal (D mm)	Overall (D mm)	Colour	Subs
59922	170	240	White	59922, 59924, 59925, 59926
59923	240	300	White	59923, 59927