



ADAPTOR PLATE S9901

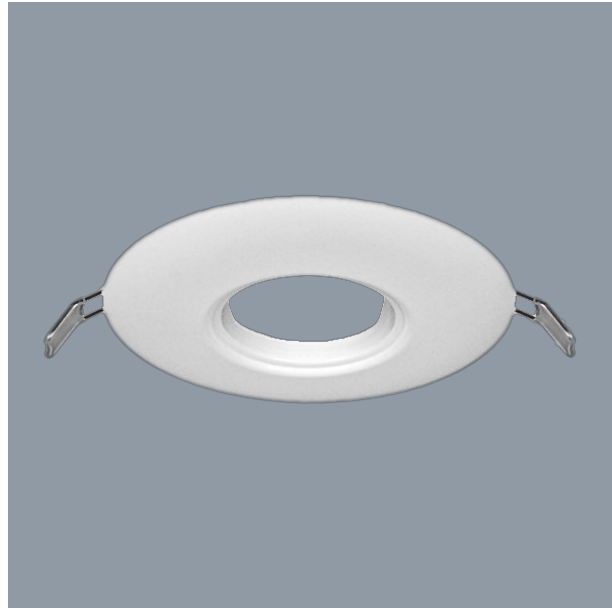
Interior downlight adaptor plates

Application

Residential or Commercial interior spaces

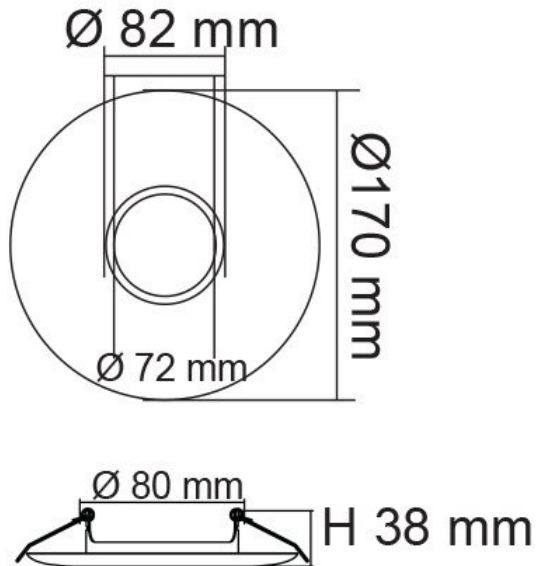
Design Specifications

- Pressed steel plate, black, satin nickel, matt white, or gloss white powder coat finish
- Suits SAL S9001, S9045, S9145
- Model numbers - S9901BK, S9901SN, S9901WH
- Dimensions: internal 72mm, overall 170mm
- Cut outs for reducer rings S9922, S9923 refer dimensions



Due to continued product and technology enhancements, data sourced from sal.net.au shall not form part of any contract and or technical performance guarantee unless expressly confirmed in writing by SAL at the time of order. Products are sold in accordance with [SAL Terms and Conditions of sale](#) and all images shown are for illustration purposes only and may vary from the actual colour or finish. Unless specifically stated, all IP ratings nominated for Interior products are from "below the ceiling".

Dimensions

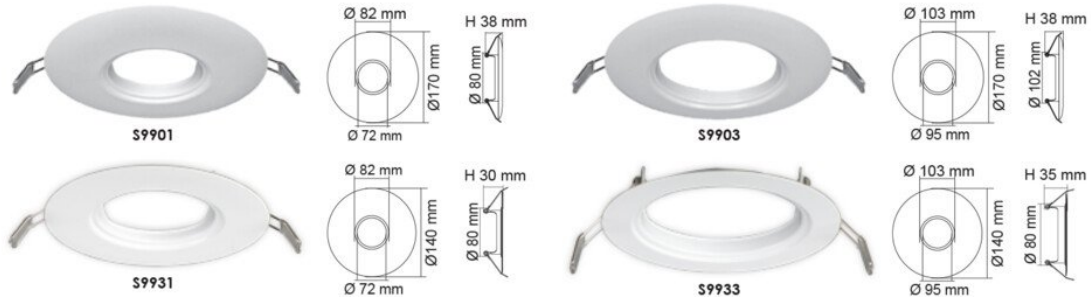


ADAPTOR PLATE S9901, S9903, S9931, S9933

Interior downlight adaptor plates

Design Specifications

- Pressed steel plate, black, satin nickel, matt white, or gloss white powder coat finish



Technical Specifications

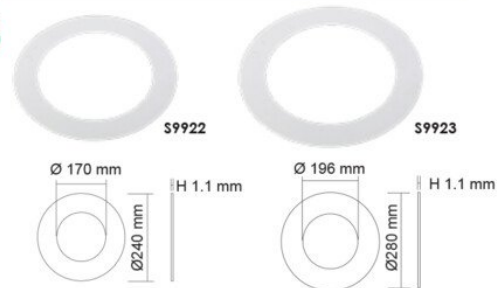
Model No.	Internal (D mm)	Overall (D mm)	Colour	Suits
S9901BK	72	170	Black	S9001BK
S9901SN	72	170	Satin Nickel	S9001SN, S9045SN
S9901WH	72	170	Matt White	S9140WH, S9145WH, S9001WH, S9045WH
S9903BK	95	170	Black	S9003BK
S9903SN	95	170	Satin Nickel	S9003SN, S9046SN
S9903WH	95	170	Matt White	S9146WH, S9048WH, S9141WH, S9842WH
S9903GWH	95	170	Gloss White	S9041WH, S9046WH
S9931WH	72	140	Matt White	S9145WH
S9933WH	95	140	Matt White	S9146WH, S9048WH, S9141WH, S9842WH

REDUCER RINGS S9922, S9923

Interior downlight adaptor plates

Design Specifications

- Adaptor plate, gloss white powder coat finish



Technical Specifications

Model No.	Internal (D mm)	Overall (D mm)	Colour	Suits
S9922	170	240	White	S9522, S9074, S9545, S9656
S9923	196	280	White	S9523, S9075

For terms and conditions of catalogue data use, refer to INDEX



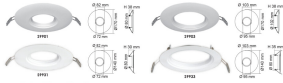
Product Images

ADAPTOR PLATE 59901, 59903, 59931, 59933

Interior downlight adaptor plates

Design Specifications

- Pressed steel plate, black, soft nickel, matt white, or glass white powder coat finish



Technical Specifications

Model No.	Internal (D mm)	Overall (D mm)	Colour	Subs
59901K	72	172	Black	SPD13K
59901NK	72	172	Soft Nickel	SPD13K, SPD20K
59901WH	72	172	Soft White	SP14SDH, SP14SDH, SP01VWL, SP04SDH
59903K	95	175	Black	SPD23K
59903NK	95	175	Soft Nickel	SPD23K, SP04SDH
59903WH	95	175	Soft White	SP14VWL, SP04SDH, SP14VWL, SP04SDH
59903WH	95	175	Glass White	SP04VPL, SP04SDH
59931K	72	180	Soft White	SP14VWL, SP04SDH
59931WH	95	180	Soft White	SP14VWL, SP04SDH

REDUCER RINGS 59922, 59923

Interior downlight adaptor plates

Design Specifications

- Adaptor plate, glass white powder coat finish



Technical Specifications

Model No.	Internal (D mm)	Overall (D mm)	Colour	Subs
59922	170	240	White	SP22, SP24, SP42, SP42
59923	174	250	White	SP23, SP24