

LED CABINET & WALL LIGHTS



www.sal.net.au

LED WALL LIGHT

S9511/LED, S9512/LED DESERT

CONSTRUCTION

- Pressed steel casing
- Powder coated finish (White)
- Aluminium reflector
- High efficiency SMD LED chips
- 12V AC or DC LED driver required

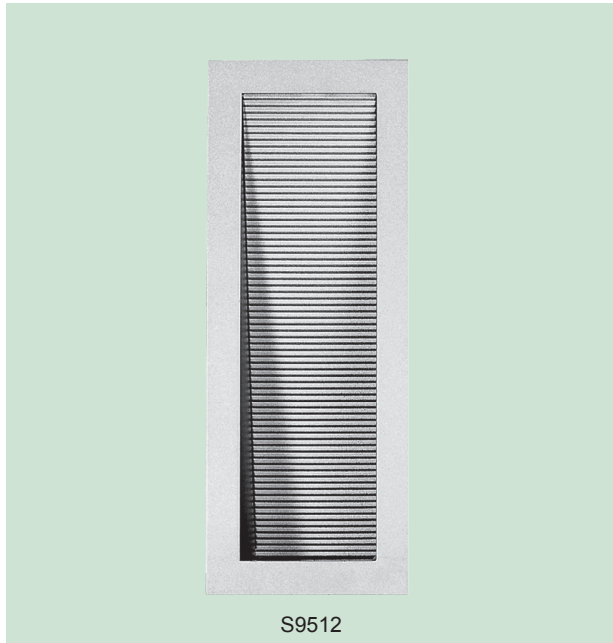
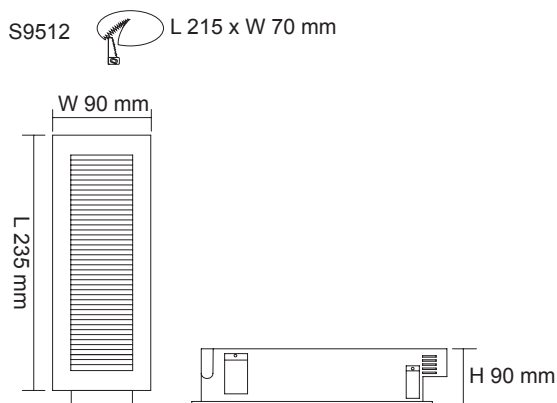
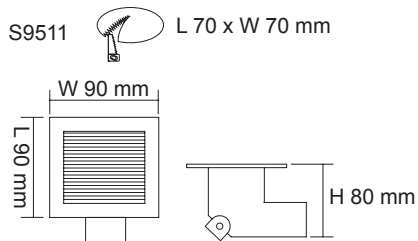
IP RATING

- IP20 suitable for indoor use only

SUITABLE DRIVERS

- PLUTO EGL12V/6W
- PLUTO EGL12V/15W
- PLUTO 30W/12V, PLUTO 50W/12V,
- PLUTO 100W/12V, PLUTO 200W/12V

DIMENSIONS



Model No.	Input	Power	Lumen	CCT	CRI	Installation Type	Fitting Colour
S9511/LED/SL	12V	3W	110lm	3000K	>80	Recessed	Silver
S9511/LED/WH	12V	3W	110lm	3000K	>80	Recessed	White
S9512/LED/SL	12V	3W	110lm	3000K	>80	Recessed	Silver
S9512/LED/WH	12V	3W	110lm	3000K	>80	Recessed	White