



Slimfire



OPERATIONAL INFORMATION

General	
VOLtage (V)	~230V
Frequency (Hz)	50Hz
Max Ambient Temp	40°C
Class	2
Duration	180min
IP Rating	IP20
Emergency Classification	D40
Mounting Type	Recessed Mounting
Wiring	Flex&Plug
Lamp Power	2W(D40)
Avg. Circuit Power	0.45W
Max. Circuit Power	3W

ORDERING INFORMATION

General	
Code	TLSE23W
Description	Slimfire
Barcode Number	9312375505600
Carton Qty	12

BATTERY

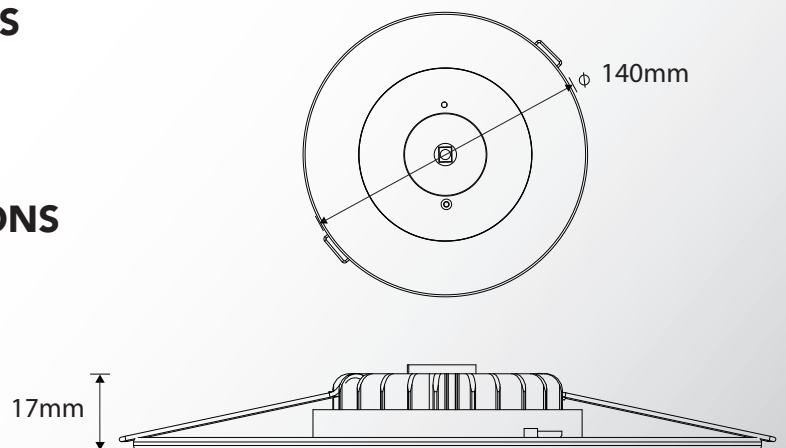
General	
Battery Type	NiMH
Battery Voltage	3.2V
Battery Code(s)	
Charging Time	16 Hours
Charging Type	Variable

ACCESSORIES AND SPARE PARTS

Code	Description
	1800mAH NiMH

CONSTRUCTION AND DIMENSIONS

Body	PC
Dish	PC
Cut Out	74-80mm



SPACING TABLE (DISTANCE BETWEEN FITTINGS)

Lux	Classification	Mounting Height (M)															
		2.1	2.4	2.7	3	3.3	3.6	4	4.5	5	6	7	8	9	10	15	20
0.2	D40	16.7	17.4	18	18.6	19.1	19.6	20.1	20.8	21.3	22.1	22.7	23	23.1	23.1	19.4	
1	D40	9.3	9.6	9.8	10	10.1	10.2	10.3	10.2	10.1	9.4	8.2	4.8				