

30W 1765MM (70") SMART DC CEILING FAN 3 TIMBER BLADES WITH WIFI REMOTE CONTROL



Warranty



DC Motor



Wi-Fi



Indoor & Covered
Outdoor Use



Summer/
Winter
Reverse
Function



Scan for
product
information

Model Numbers

Motor Only

MNDCW Matt White
MNDCW Matt Black

+

Blades Only

MNB180N Natural
MNB180WW White Wash
MNB180W Walnut

NB: Motor and blades are sold separately.

Features

- Brushless quiet and efficient 30W DC motor
- WiFi connectivity and operate via Smart Life application
- Low profile designed ideal for indoor and covered outdoor applications
- Unique comfort sleep and breeze mode + 6 other speed settings
- Steel body, canopy and solid timber blades
- Fully reversible for summer and winter mode from remote control

30W 1765MM (70") SMART DC CEILING FAN 3 TIMBER BLADES WITH WIFI REMOTE CONTROL

SPECIFICATIONS

Model Name	Norfolk Aero DC
Model Numbers	
Motor Only	Blades Only
MNDCW Matt White	MNB180N Natural
MNDCM Matt Black	MNB180WW White Wash
	MNB180W Walnut
Power Wattage / Motor	30W DC
Voltage / Frequency	220-240V.a.c. 50-60Hz
Air Movement (m³/hr)	
Maximum RPM	Up to 152 RPM
Airflow Efficiency	Up to 255m ³ /hr per watt
Speed 6 (Highest)	10,200m ³ /hr
Speed 5	9,052m ³ /hr
Speed 4	8,521m ³ /hr
Speed 3	6,878m ³ /hr
Speed 2	5,230m ³ /hr
Speed 1 (Lowest)	3,150m ³ /hr
Materials / Blade	Timber blade
Number of Blades	3
Blade Pitch	9°
Hangsure Canopy	15°

REMOTE CONTROL

Control	
Light	N/A
CCT	N/A
Fan	Off only
Fan Speed Setting	6
Other Features	Summer/winter reverse mode Breeze mode Sleep mode
Timer	Off only - 1hr, 4hr or 8hr
Power	1 x A23 12V batteries (supplied)
Size	145 x 42mm
Radio Frequency	433Mhz

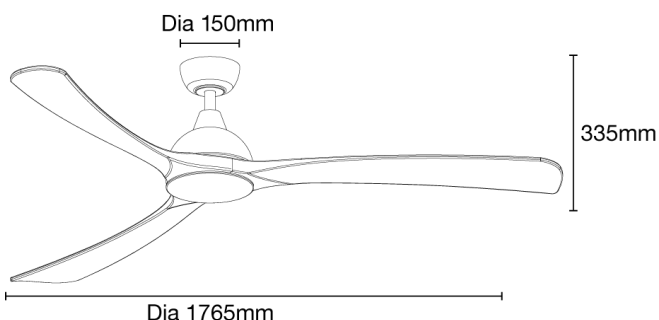
SHIPPING

Model Numbers	Carton Size			Carton Quantity	Carton Gross Weight (Kg)
	H (mm)	W (mm)	L (mm)		
MNDCW	290	290	440	1	5
MNDCM	290	290	440	1	5
MNB180N	190	250	950	1	3
MNB180WW	190	250	950	1	3
MNB180W	190	250	950	1	3

INSTALLATION

Installation	By licensed electrician only
Warranty	6* year warranty (*3 year in-home + additional 3 year replacement on the motor only)

DIMENSIONS



* Product must be installed by licensed electrician if not warranty will be void. Visit website for further information regarding warranty terms and conditions. Specification and imagery subject to change without prior notice. Last updated October 2023.



Aust/NZ Approval No.
GMA-517404-EA