

33W 1220MM (48") SMART DC CEILING FAN 4 ABS BLADES WITH WIFI REMOTE CONTROL + LED LIGHT



Warranty



DC Motor



Wi-Fi



Indoor & Covered
Outdoor Use



Summer/
Winter
Reverse
Function



CCT



Variable
Dimming

Model Numbers

MCDC1243W Matt White

MCDC1243M Matt Black



Scan for
product
information

Features

- Brushless quiet and efficient 33W DC motor
- WiFi connectivity and operate via Smart Life application
- Low ceiling and slimline designed ideal for indoor and covered outdoor applications
- Unique comfort sleep and breeze mode + 6 other speed settings
- Steel body and canopy with ABS blades and PMMA lens cover
- Fully reversible for summer and winter mode from remote control
- 16W LED with variable dimming
- Variable 6 stage colour temperature between 2700K to 6000K

33W 1220MM (48") SMART DC CEILING FAN 4 ABS BLADES WITH WIFI REMOTE CONTROL + LED LIGHT

SPECIFICATIONS

| | |
|--|--|
| Model Name | Carrara DC |
| Model Numbers | MCDC1243W Matt White MCDC1243M Matt Black |
| Power Wattage / Motor | 33W DC |
| Voltage / Frequency | 220-240Va.c. 50-60Hz |
| Air Movement (m³/hr) | |
| Maximum RPM | Up to 195 RPM |
| Airflow Efficiency | Up to 418m ³ /hr per watt |
| Speed 6 (Highest) | 13,800m ³ /hr |
| Speed 5 | 11,270m ³ /hr |
| Speed 4 | 9,410m ³ /hr |
| Speed 3 | 7,250m ³ /hr |
| Speed 2 | 4,530m ³ /hr |
| Speed 1 (Lowest) | 2,500m ³ /hr |
| Materials / Blade | ABS blade |
| Number of Blades | 4 |
| Blade Pitch | 15° |
| Hangsure Canopy | N/A (flat surface level installation only) |
| Lighting Wattage / Type | 16W LED |
| Colour Temperature | 2700K to 6000K |
| Lumens Output | Up to 1885lm |
| Rated Lifetime | 35,000 hours @ Ta25°C |
| Dimmable | Variable dimming |

REMOTE CONTROL

| | |
|--------------------------|---|
| Control | |
| Light | On/off |
| CCT | 2700K/3000K/4000K/5000K/6000K |
| Fan | Off only |
| Fan Speed Setting | 6 |
| Other Features | Summer/winter reverse mode Breeze mode Sleep mode |
| Timer | Off only - 1hr, 4hr or 8hr |
| Power | 1 x A23 12V batteries |
| Size | 145 x 42mm |
| Radio Frequency | 433Mhz |

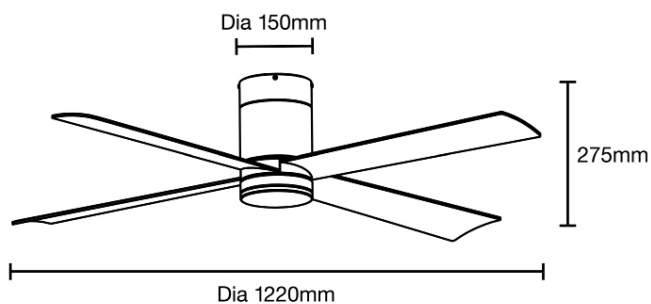
SHIPPING

| Model Numbers | Carton Size | | | Carton Quantity | Carton Gross Weight (Kg) |
|---------------|-------------|--------|--------|-----------------|--------------------------|
| | H (mm) | W (mm) | L (mm) | | |
| MCDC1243W | 280 | 200 | 600 | 1 | 5.1 |
| MCDC1243M | 280 | 200 | 600 | 1 | 5.1 |

INSTALLATION

| | |
|---------------------|---|
| Installation | By licensed electrician only |
| Warranty | 6* year warranty (*3 year in-home + additional 3 year replacement on the motor only) |

DIMENSIONS



* Product must be installed by licensed electrician if not warranty will be void. Visit website for further information regarding warranty terms and conditions. Specification and imagery subject to change without prior notice. Last updated Sept 2023.

