

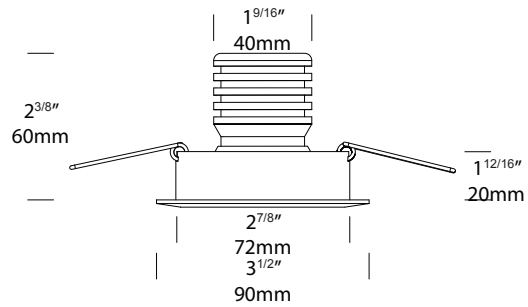
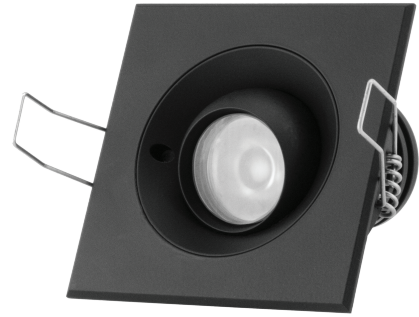
Tilting Eave Square 6w PURE LED

PROJECT:
TYPE:
SOURCE:
NOTES:

SPECIFICATIONS



LED Chip	Cree XHP-50-2 Plug and Play field replaceable LED board
Luminaire Output	600 Lumens @ 1050mA (6 watts), 420 Lumens @ 700mA (4 watts), 240 Lumens @ 350mA (2 watts), delivered from luminaire with unobstructed beam.
Lumens Per Watt	100 Lumens @ 6 watts minimum, delivered from luminaire with unobstructed beam
CRI (3000K)	85+ Standard, 90+ Optional
Colour Temperatures	2700K, 3000K, 4000K
Beam Angles	15, 25, 38, 60
Ingress Protection	IP66
Warranty	Electronics = 5 years Flange Cop / SS = 10 years Body Aluminium = 5 years
Standards	AS/NZS 61046 cUL 2108 CSA C22.2 No. 250.0-08 CE



PRODUCT CONFIGURATION

Please fill in appropriate codes into boxes provided

Cat. No. ESQ/T6/L

Luminaire	Power	Material/ Finish	Beam	Colour	Accessories
ESQ/T6/L					
S SERIES, REMOTE DRIVER D3 12VAC, 2W INTEGRAL D7 12VAC, 4W INTEGRAL D10 12VAC, 6W INTEGRAL DC7 9-36VDC, 700mA		ALUMINIUM EBK BLACK EBZ BRONZE EOGR OLIVE GREEN EWH WHITE EWB WHITE BIRCH EDG DARK GREY ESTAR SILVER STAR ECT CORTEN COP SOLID COPPER SS STAINLESS STEEL	15 15° 25 25° 38 38° 60 60°	2 2700K 3 3000K 4 4000K 39 3000K, 90+ CRI	LF FROSTED LENS CJK CABLE JOINT KIT

SERIES, REMOTE DRIVER REQUIRED:
Constant current driver
Individual fixtures require 6vdc @ 1050mA maximum

12VAC INTEGRAL DRIVER:
Hunza integrated plug and play driver (included)
Input: 9-15VAC, 7watt total
Output: 6vdc @ D3=350mA, D7=700mA, D10=1050mA (1050mA limited to ≤ 40°C (104°F) ambient temperature in stainless steel)

24VAC INTEGRAL DRIVER:
Hunza integrated plug and play driver (included)
Input: 9-36vdc, 7 watt total
Output: 6vdc nominal, 700mA

Please click for Remote Power Supply Guidance Charts:

[USA \(page 1\)](#)
[Rest of the World \(page 1\)](#)

LUMINAIRE CONSTRUCTION

CNC machined from one of the following metals:

Aluminium:

Body: 45mm (1^{3/4"}) anodised aluminium
 Flange: 90mm x 90mm (3^{1/2"} x 3^{1/2"}) high corrosion resistant solid aluminium square bar with chromate substrate and high UV resistant polyester powder coat.

Colours:

Black, Bronze, Silver Star, White, White Birch, Olive Green, Dark Grey, Corten.

Copper:

Flange: 90mm x 90mm (3^{1/2"} x 3^{1/2"}) solid copper square bar.

316 Stainless Steel:

Flange: 90mm x 90mm (3^{1/2"} x 3^{1/2"}) 316 stainless steel square bar.

Lens:

8mm extra clear, low iron, glass lens.
 Lifetime Warranty.

Gaskets:

Silicone, iron impregnated 220°C (428°F)

Mounting:

This fitting is designed to fit through a 72mm (2") holes and be fixed into position by two spring clips.

Luminaire Weight:

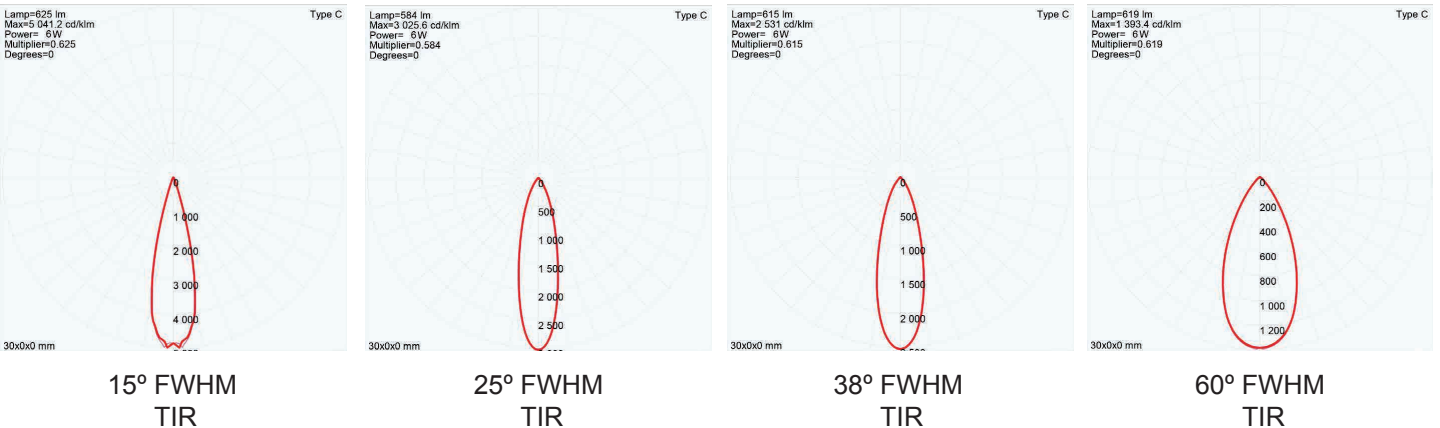
Low voltage
 Alum: 0.300kg (11oz)
 Cop: 0.800kg (1lb 12oz)
 SS: 0.750kg (1lb 10oz)

ACCESSORIES

BEAM ANGLES

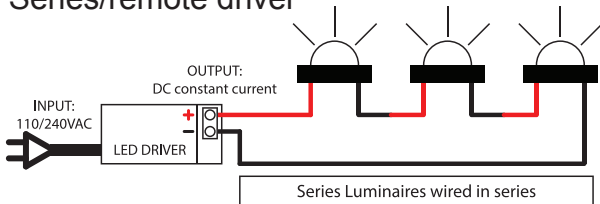
High efficiency PMMA TIR lenses. Field replaceable

IES files available for download: <http://www.hunzalighting.com/download.php>



WIRING GUIDE

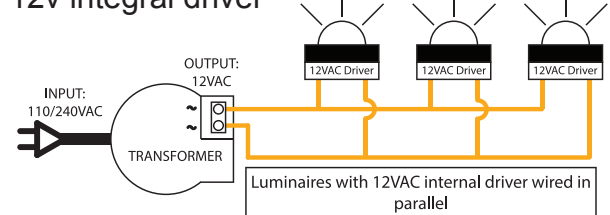
Series/remote driver



Diagrams are a guide only, wire colours and polarity may change depending on fixture and country

available for download: <http://www.hunzalighting.com/download.php>

12v integral driver



Specifications may change without notification

Aug 2017