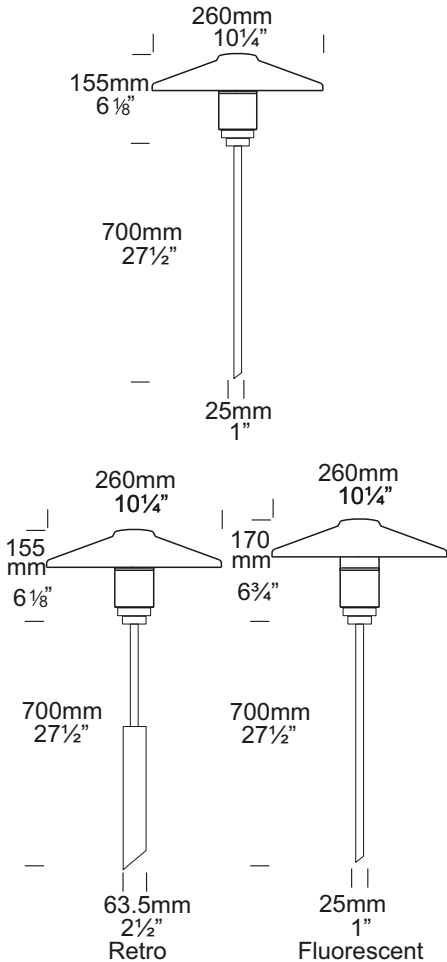


# Tier Lite

Cat. No. TL  
 Cat. No. TLFL  
 Cat. No. TL/R  
 Cat. No. TLG9



The Tier Lite is designed for illuminating medium level foliage. It is mounted on a 700mm pole to provide a soft pool of light suitable for a wide variety of landscape situations.

The Retro™, which is a mains option, avoids the need to bury a transformer. The 110/240-12 volt electronic transformer is built into the pole and is a double insulated safety isolating transformer this changes the luminaire to an IP56 rating.

A 110/240 volt fluorescent option is available which offers excellent light output, low energy usage and very low heat generation, this changes the luminaire to an IP66 rating.

A G9 version of this luminaire is also available for line voltage lamps.

## Ordering Information

Luminaire Type	Material/Finish	Accessories
TL - Tier Lite	BK - Black BZ - Bronze GN - Green STAR - Silver Star WH - White WB - Birch DG - Dark Grey OG - Olive Green RG - Beige PR - Primrose COP - Copper SS - 316 Stainless Steel	CJK150 - Cable Joint Kit FL - Fluorescent Option SS/G - Hunza Super Spike (not for Retro™) /R - Retro™ Transformer 110/240-12 volt G9 - G9 option  For <b>LED</b> options, refer to page 10.4.1 (G4 JC LED), 10.4.6 (Wafer LED) or <a href="http://hunza.co.nz/l.html">http://hunza.co.nz/l.html</a>

Ordering Example: TL SS - Tier Lite in 316 Stainless Steel  
 TLFL WH - Tier Lite in White with Fluorescent Option  
 SSP/G - Hunza Super Spike (Accessories ordered separately)

**HUNZA**™ PURE OUTDOOR LIGHTING

**HUNZA FACTORY**  
 130 Felton Mathew Ave  
 Glen Innes  
 Auckland 1072  
 New Zealand

Ph: 64-9-528 9471  
 Fax: 64-9-528 9361  
[hunza@hunza.co.nz](mailto:hunza@hunza.co.nz)  
[www.hunza.co.nz](http://www.hunza.co.nz)

**INTERNATIONAL CONTACTS:**  
[www.hunza.co.nz/contacts.php](http://www.hunza.co.nz/contacts.php)

Specifications may change without notice.  
 Manufactured in New Zealand.  
 © 2011 Hunza Holdings Ltd.

## Luminaire Construction

CNC machined from one of the following metals:

High corrosion resistant 63.5mm (2½") x 10mm (25/64") aluminium. End cap - solid aluminium 63.5mm (2½") rod, with chromate substrate and high UV resistant polyester powder coat

**Colours** Black, Bronze, Green, Silver Star, White.

**Copper** 63.5mm (2½") x 10mm (13/32"). End cap - solid copper 63.5mm (2½") rod.

**316 Stainless Steel** 63.5mm (2½") x 10mm (13/32"). End cap - solid 316 stainless steel 63.5mm (2½") rod.

Retro™:

Pole - 25.4mm (1") x 410mm (16") tube.

Transformer Pole 63.5mm (2½") x 440mm (17½").

Hood

260mm (10¼") x 1.2mm (1/16") hand spun aluminium, copper or 316 stainless steel.

## Mounting

Pole 700mm (27½") directly mounted into the earth or for extra stability in sand of loose ground use a Hunza® Super Spike. Retro™ set in concrete.

## Features

Lens:

UV stable polycarbonate.

Anti Glare Hood:

Diameter 260mm (10¼"). No upward light or glare projected.

Gaskets:

Silicone, iron impregnated 220°C (428°F).

Lamp Holders:

G4 - 350°C (662°F) ceramic multi contact lamp holder with 250°C (480°F) teflon cables.

G9 - 280°C (536°F) ceramic lamp holder with 250°C (480°F) teflon cables.

Fluorescent:

E27 PET 210°C (410°F) base mount. E26 Available for USA/Canada.

Accessories:

Cable Joint Kit (Cat. CJK150) Not approved for USA/Canada.

Hunza Super Spike, not for Retro™ option (Cat. SSP/G).

Fluorescent Option 8 watt 240 volt (Cat. FL).

Retro™ transformer 110/240-12 volt (Cat. /R) IP56.

G9 Option (Cat. G9).

## Standards

IP56/IP66



UL1838

## Luminaire Weight

12 volt Alum .915kg (2lb)  
 Cop 1.590kg (5lb 11oz)  
 SS 1.450kg (3lb 3 oz)  
 Retro™ Alum 2.00kg (4lb 6oz)  
 Cop 3.00kg (6lb 9oz)  
 SS 2.90kg (6lb 6 oz)

## Power Supply

HUNZA™ Inground or Wall Mount Transformer: not included.

RETRO™ IP56

HUNZA™ 110/240-12 volt ac silicone encapsulated electronic transformer is built into the pole. Dimmable with a suitable dimmer

USA and Canada:

HUNZA™ Wall Mount Transformer: not included.

Luminaire: supplied with

G4 Bi-Pin 5, 10, 20 watt lamp max.

Retro™ G4 Bi-Pin 10, 20 watt lamp max.

Fluorescent

E27 - 110/240 volt self ballasted lamp.

G9 - 25 watt lamp max.

**LED** - Refer to previous page.

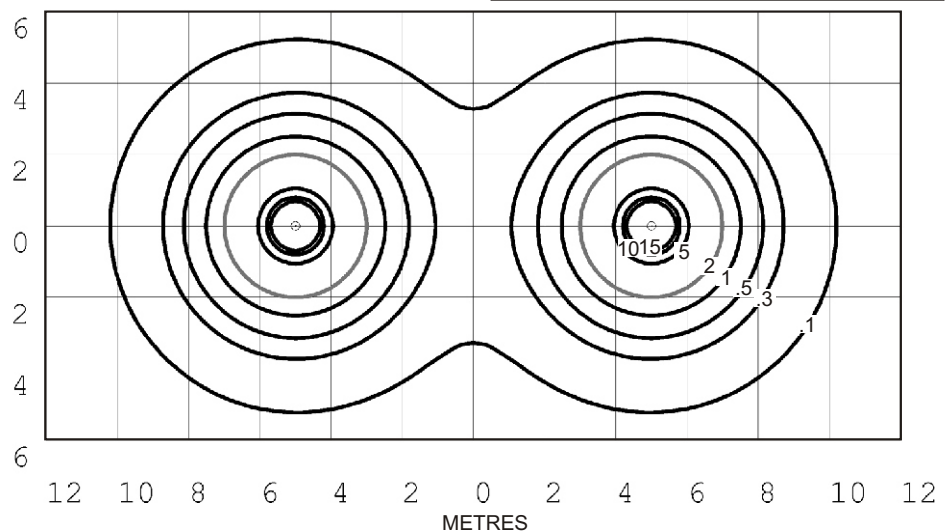
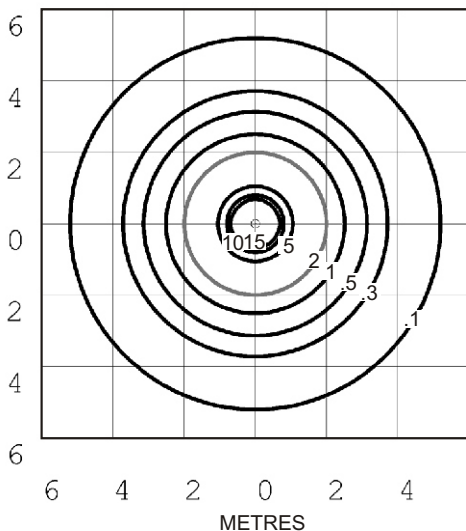
USA and Canada:

G4 Bi-Pin 5, 10, 20 watt lamp max.

G9 - 25 watt lamp max.

**LED** - Refer to previous page.

Tier Lite G4 20 watt Bi-Pin lamp - Lens height 650mm (25½")



Isolux Lumens Plot - Footcandles = Isolux figures divided by 10.76

**HUNZA™** PURE OUTDOOR LIGHTING

**HUNZA FACTORY**  
 130 Felton Mathew Ave  
 Glen Innes  
 Auckland 1072  
 New Zealand

Ph: 64-9-528 9471  
 Fax: 64-9-528 9361  
 hunza@hunza.co.nz  
 www.hunza.co.nz

**INTERNATIONAL CONTACTS:**  
[www.hunza.co.nz/contacts.php](http://www.hunza.co.nz/contacts.php)

Specifications may change without notice.  
 Manufactured in New Zealand.  
 © 2011 Hunza Holdings Ltd.

Ver 1.4