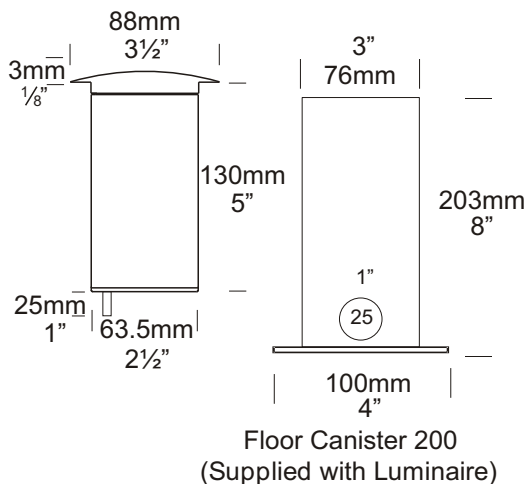


Floor Lite Dark Lighter

Cat. No. FLDK
 Cat. No. FLDKFL
 Cat. No. FLDKGU
 Cat. No. FLDKMH20
 Cat. No. FLDKMH35

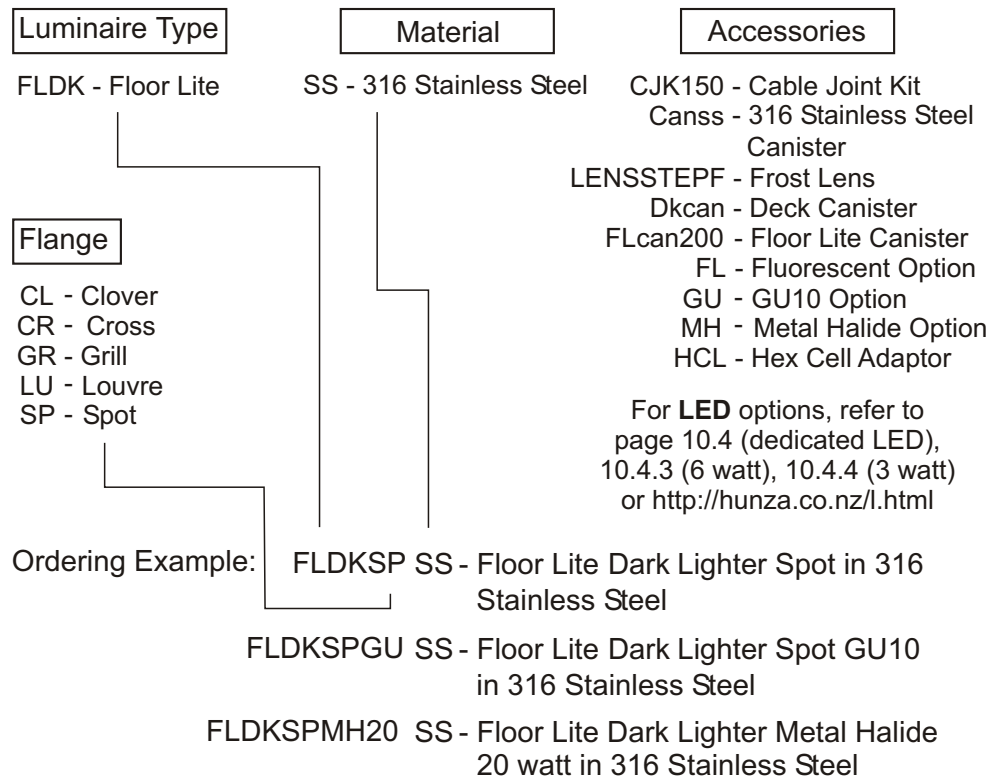


The Floor Lite Dark Lighter has a lamp that is recessed 50mm (2") down in to the body of the luminaire, along with a hex cell louvre and a matt black interior the luminaire has superior glare control. The Dark Lighter version of the Floor Lite has an extremely low profile (3mm) and can be walked upon with out damaging the luminaire. There are five flange designs: Clover, Cross, Grill, Louvre, (45 degree angle), Spot and is supplied with a mounting canister.

A 110/240 volt florescent option is available which offers excellent light output, low energy usage and very low heat generation, this changes the luminaire to an IP66 rating.

A GU10 version of this luminaire is also available for line voltage lamps. The Floor Lite Dark Lighter Metal Halide is extremely energy efficient, outputting 2-3 times the light of a halogen lamp, and uses a GX10 20 or 35 watt lamp. The Metal Halide version is not UL or CSA approved for use in the USA or Canada.

Ordering Information



HUNZA™ PURE OUTDOOR LIGHTING

HUNZA FACTORY
 130 Felton Mathew Ave
 Glen Innes
 Auckland 1072
 New Zealand

Ph: 64-9-528 9471
 Fax: 64-9-528 9361
hunza@hunza.co.nz
www.hunza.co.nz

INTERNATIONAL CONTACTS:
www.hunza.co.nz/contacts.php

Specifications may change without notice.
 Manufactured in New Zealand.
 © 2011 Hunza Holdings Ltd.

Luminaire Construction

CNC machined from:

Body:

316 Stainless Steel 63.5mm (2½") x 9mm (1/3"). End cap - solid 316 Stainless Steel 63.5mm (2½") rod.

Flange:

316 Stainless Steel 90mm (3½").

Mounting

The luminaire is pushed into the canister and is held by two silicone "O" rings: Canss, FLcan, FLUcan: Cast into concrete, brick, concrete block, etc.

Dkcan: mounted into wooden decks, wooden frames, etc.

Features

Lens:

10mm (3/8") clear flush fit shatter resistant glass.

Lifetime Warranty.

Gasket:

Silicone, iron impregnated 220°C (428°F).

Lamp Holders:

GU5.3 & GU10 - 350°C (662°F) ceramic multi contact lamp holder with 250°C (480°F) teflon cables.

Metal Halide GX10 - 350°C (662°F) ceramic multi contact lamp holder with 250°C (480°F) teflon cables.

Fluorescent:

E27 PET 210°C (410°F) base mount. E26 only available in the USA.

Accessories:

Cable Joint Kit (Cat. CJK150)
Not approved for USA/Canada.
Deck Canister (Cat. Dkcan).
Frosted Lens (Cat. LENSSTEPF).
Floor Canister 200 (Cat. Flcan200).
316 Stainless Steel Canister for use in lime stone etc. (Cat. Canss).
Fluorescent Option (Cat. FL).
GU10 Option (Cat. GU).
Metal Halide Option (Cat. MH).
Hex Cell Louvre Adaptor (Cat. HCL)
(Note: Supplied as standard for USA/Canada).

Standards

EN60598

IP68



UL1838

Luminaire Weight

SS 1.630kg (3lb 10oz)

Power Supply

HUNZA™ Inground or Wall Mount
Transformer: not included.

Metal Halide - 230-240 volt ac 50Hz
built in ballast

USA and Canada:

HUNZA™ Wall Mount Transformer:
not included.

Metal Halide version not UL or
CSA approved for use in USA/Canada.

Luminaire: supplied with

MR16 GU5.3 - 20 watt lamp max.

GU10 - GU10 25 or 35 watt lamp max.

LED - Refer to previous page.

Metal Halide - GX10 20 or 35 watt lamp

Fluorescent

E27 - 110/240 volt self ballasted lamp.

USA and Canada:

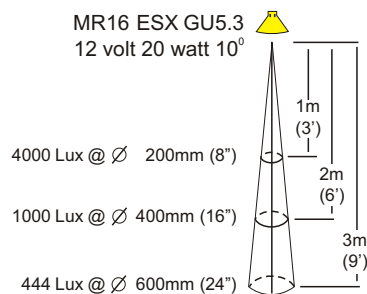
MR16 GU5.3 20 watt lamp max.

GU10 Halogen - Lamp not supplied

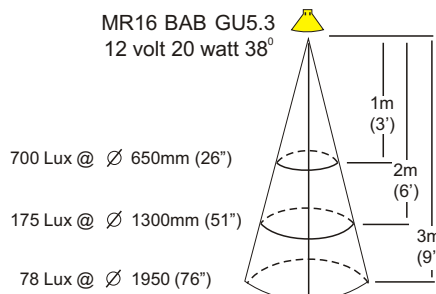
LED - Refer to previous page.

Metal Halide version not UL or
CSA approved for use in USA/Canada.

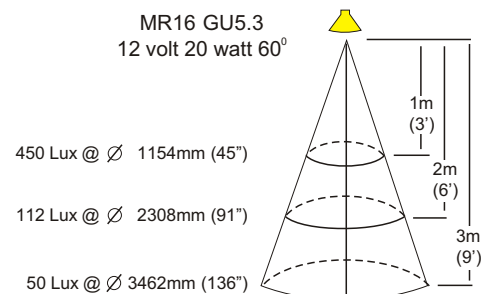
MR16 ESX GU5.3
12 volt 20 watt 10°



MR16 BAB GU5.3
12 volt 20 watt 38°



MR16 GU5.3
12 volt 20 watt 60°



These diagrams refer to the Spot Lite Flange (D) only.

HUNZA™ PURE
OUTDOOR
LIGHTING

HUNZA FACTORY
130 Felton Mathew Ave
Glen Innes
Auckland 1072
New Zealand

Ph: 64-9-528 9471
Fax: 64-9-528 9361
hunza@hunza.co.nz
www.hunza.co.nz

INTERNATIONAL CONTACTS:
www.hunza.co.nz/contacts.php

Specifications may change without notice.
Manufactured in New Zealand.
© 2011 Hunza Holdings Ltd.

Ver 1.4