

# Euro Step Lite Solid Eyelid

Cat. No. ESLS



The Euro Step Lite Solid Eyelid is an extra compact luminaire designed for step lighting applications where the fixture needs to be very unobtrusive or concealed. The eyelid masks two thirds of the lamp, which eliminates all upward light.

Hunza Euro fixtures use miniature MR11 lamps to achieve a contemporary, discreet appearance but are still able to provide excellent illumination. The Euro Step Lite is designed for recessed mounting into masonry, stone or wood and when the appropriate Hunza mounting canister is specified there are no visible mounting screws.

## Ordering Information

### Luminaire Type

ESLS - Euro Solid Eyelid  
Step Lite

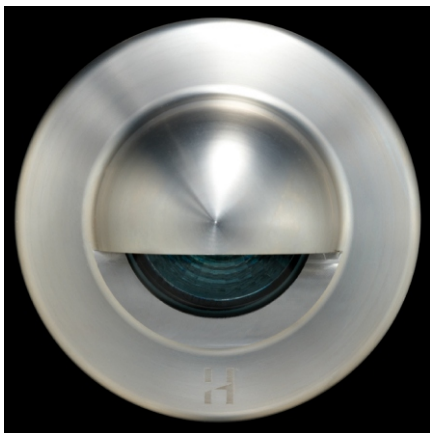
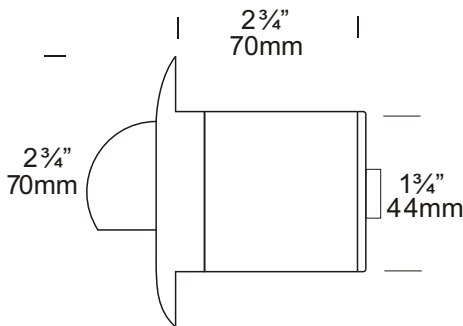
### Material

COP - Copper  
SS - 316 Stainless Steel

### Accessories

CJK150 - Cable Joint Kit  
Elcan - Euro Lite Canister  
LENSEURF - Frost Lens

For **LED** options, refer to page  
10.4.5 (2 watt MR11) or  
<http://hunza.co.nz/l.html>



Ordering Example: ESLS COP - Euro Step Lite Solid Eyelid in  
Copper.  
(Accessories ordered separately)

**HUNZA**™ PURE  
OUTDOOR  
LIGHTING

**HUNZA FACTORY**  
130 Felton Mathew Ave  
Glen Innes  
Auckland 1072  
New Zealand

Ph: 64-9-528 9471  
Fax: 64-9-528 9361  
[hunza@hunza.co.nz](mailto:hunza@hunza.co.nz)  
[www.hunza.co.nz](http://www.hunza.co.nz)

**INTERNATIONAL CONTACTS:**  
[www.hunza.co.nz/contacts.php](http://www.hunza.co.nz/contacts.php)

Specifications may change without notice.  
Manufactured in New Zealand.  
© 2011 Hunza Holdings Ltd.

Ver 1.4

## Luminaire Construction

CNC machined from:

Body:

45mm (1¾") copper rod.

Flange:

70mm (3½") solid copper rod.

Body:

45mm (1¾") 316 stainless steel rod.

Flange:

70mm (3½") solid 316 stainless steel rod.

## Mounting

The Euro Solid Eyelid Step Lite is fixed in place using a mounting canister. There are no mounting screws in the flange to spoil aesthetics of the luminaire.

## Features

Lens:

6mm (¼") clear flush fit shatter resistant glass with Hex Cell Louvre for glare control.

Lifetime Warranty.

Gaskets:

Silicone, iron impregnated 220°C (428°F).

Lamp Holder:

GU4 - 350°C (662°F) ceramic multi contact lamp holder with 250°C (480°F) teflon cables.

Accessories:

Cable Joint Kit (Cat. CJK150)  
Not approved for USA/Canada.  
Euro lite Canister (Cat. Elcan).  
Frosted Lens (Cat. LENSEURF).

## Standards

IP66



UL1838

## Luminaire Weight

Cop .635kg (1lb 6oz)

SS .585kg (1lb 4oz)

## Power Supply

HUNZA™ Inground or Wall Mount Transformer: not included.

USA and Canada:

HUNZA™ Wall Mount Transformer: not included.

## Lamp Type

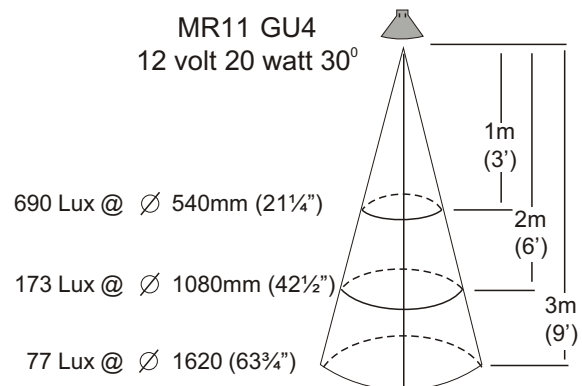
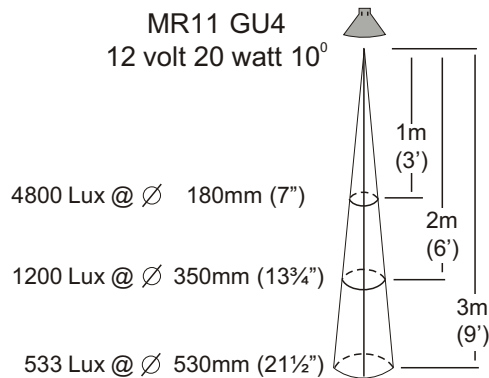
MR11 GU4 20 watt lamp max.

**LED** - Refer to previous page.

USA and Canada:

MR11 GU4 10 watt lamp max.

**LED** - Refer to previous page.



**HUNZA**™ PURE  
OUTDOOR  
LIGHTING

**HUNZA FACTORY**  
130 Felton Mathew Ave  
Glen Innes  
Auckland 1072  
New Zealand

Ph: 64-9-528 9471  
Fax: 64-9-528 9361  
hunza@hunza.co.nz  
www.hunza.co.nz

**INTERNATIONAL CONTACTS:**  
www.hunza.co.nz/contacts.php

Specifications may change without notice.  
Manufactured in New Zealand.  
© 2011 Hunza Holdings Ltd.

Ver 1.4