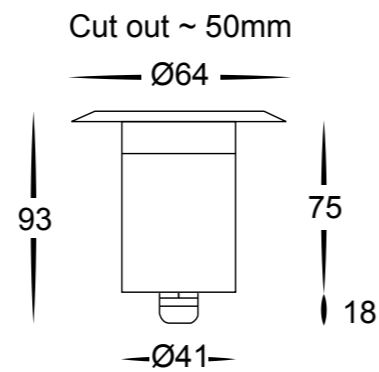


Tekk 316 Stainless Steel

- Mini deck light
- Stainless Steel 316 face
- Traffic resistant lens
- High powered LED chip
- Face Diameter: 64mm
- 1.5 metre cable length
- Beam Angle: 30°
- IP Rating: IP67
- Adequate drainage must be allowed

Not suitable for in-ground installation



Kett 316 Stainless Steel

- Mini deck light
- 316 Stainless Steel
- Face Diameter: 22mm
- 1.5 metre cable length
- IP Rating: IP65
- Adequate drainage must be allowed

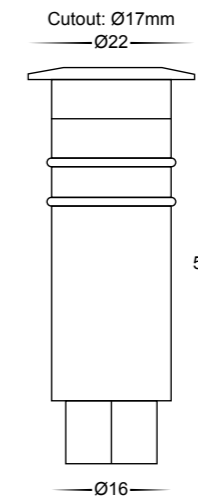


IMAGE	PART NUMBER	COLOUR TEMP	LUMENS	INPUT	INCLUDED LED
	HV2860C	5500K	180lm		
	HV2860N	4000K	170lm	12v DC	Built-in 3w
	HV2860W	3000k	160lm		

All low voltage products that specify an input of 12v or 24v DC must be used with a suitable LED driver, refer to pages 267 - 274
Lumen output measured at source. All globes supplied with fittings are non dimmable. If you require 240v dimmable globes refer to page 336

IMAGE	PART NUMBER	COLOUR TEMP	LUMENS	INPUT	INCLUDED LED
	HV2861C	5500K	35lm		
	HV2861W	3000k	30lm	12v DC	Built-in 0.5w
	HV2861B	Blue	NA		

All low voltage products that specify an input of 12v or 24v DC must be used with a suitable LED driver, refer to pages 267 - 274
Lumen output measured at source. All globes supplied with fittings are non dimmable. If you require 240v dimmable globes refer to page 336