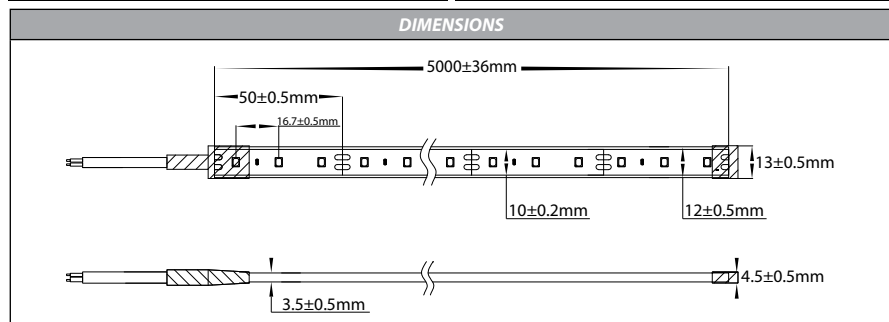


14.4w IP67 12v DC 60LED LED Strip



Product Specifications

Watts Per Metre	14.4w
Input Voltage	12v DC
Colour Temp	3000K 4000K 5500K
Beam Angle	120°
IP Rating	IP67
Size	14mm (W) x 6mm (H)
PCB	3oz
CRI	>80
Lamp Expectancy	>50000hrs
Wiring	Parallel
Dimmable	Yes
LED Chip Type	2835
No. Chips Per Metre	60
Maximum Length	5000mm
Cutting Increments	50mm
Mounting	Aluminium Profile or Heat Sink
Operating Temperature	0 - + 60° Celcius
Ambient Temperature	-20° - + 50° Celcius
Warranty	3 Years Replacement*



COMPATIBLE CONTROLLERS

Touch Panels	Remote Controllers	Zigbee	RF + WIFI
<p>HV9101-E1 HV9101-EX15</p>	<p>HV9102-M1+M4-5A HV9102-Q1</p>	<p>HV9101-ZB-SCTP HV9102-ZB-SCREM</p>	<p>HV9101-2830A HV9102-2819DIM</p>
<p>HV9103-F4-5A</p>	<p>HV9103-F4-5A</p>	<p>HV9105-ZB-5C</p>	<p>HV9105-1009-5C</p>

Product Ordering - Per Metre

Image	Part Number	Colour Temp	Lumens	Barcode
	HV9783-IP67-60-3K	3000k	1200lm	9350418024121
	HV9783-IP67-60-4K	4000k	1260lm	9350418024336
	HV9783-IP67-60-5K	5500k	1320lm	9350418024510

Product Ordering - 10m Reels

Image	Part Number	Colour Temp	Lumens	Barcode
	HV9783-IP67-60-3K-10M	3000k	1200lm	9350418030931
	HV9783-IP67-60-4K-10M	4000k	1260lm	9350418030948
	HV9783-IP67-60-5K-10M	5500k	1320lm	9350418030955

*Ordered after 01-01-2022

For More Information Contact Havit Lighting

143 Beauchamp Road
Matraville NSW 2036
Australia

Tel: 02 9381 8300
Fax: 02 9666 8881
Email: sales@havit.com.au
Web: www.havit.com.au



Warranty Terms & Conditions



www.havit.com.au