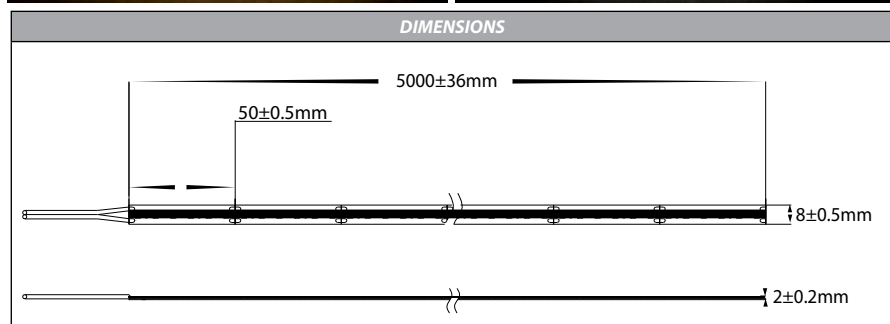
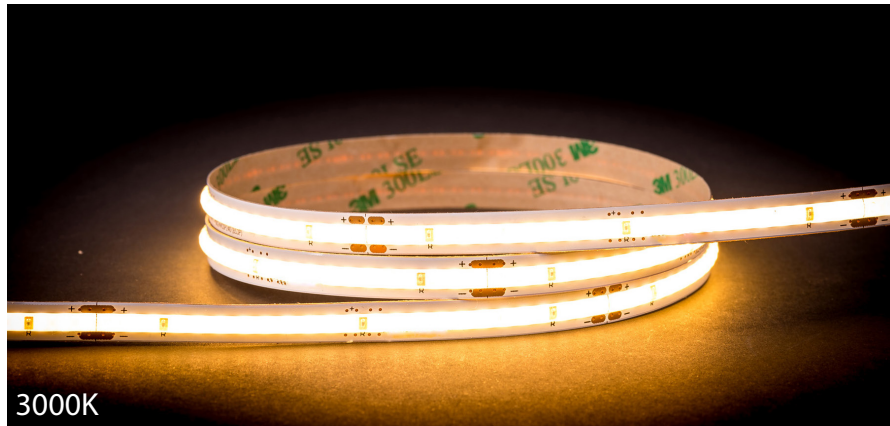


# 14.4w IP20 24v DC 480LED CSP LED Strip



## Product Specifications

Watts Per Metre	14.4w
Input Voltage	24v DC
Colour Temp	3000K   4000K   5500K
Beam Angle	120°
IP Rating	IP20
Size	8mm (W) x 2mm (H)
PCB	3oz
CRI	>80
Lamp Expectancy	>50000hrs
Wiring	Parallel
Dimmable	Yes
LED Chip Type	CSP
No. Chips Per Metre	480
Maximum Cut Length	5000mm
Cutting Increments	50mm
Mounting	Aluminium Profile or Heat Sink
Operating Temperature	0 - + 60° Celcius
Ambient Temperature	-20° - + 50° Celcius
Warranty	3 Years Replacement*



## COMPATIBLE CONTROLLERS

Touch Panels	Remote Controllers	Zigbee	RF + WIFI
 HV9101-E1    HV9101-EX15	 HV9102-M1+M4-5A    HV9102-Q1	 HV9101-ZB-SCTP    HV9102-ZB-SCREM	 HV9101-2830A    HV9102-2819DIM
 HV9103-F4-5A	 HV9103-F4-5A	 HV9105-ZB-5C	 HV9105-1009-5C

## Product Ordering - Per Metre

Image	Part Number	Colour Temp	Lumens	Barcode
	<b>HV9762-IP20-480-3K</b>	3000k	1325lm	9350418029089
	<b>HV9762-IP20-480-4K</b>	4000k	1365lm	9350418029096
	<b>HV9762-IP20-480-5K</b>	5500k	1340lm	9350418029102

## Product Ordering - 30m Reels

Image	Part Number	Colour Temp	Lumens	Barcode
	<b>HV9762-IP20-480-3K-30M</b>	3000k	1325lm	9350418031976
	<b>HV9762-IP20-480-4K-30M</b>	4000k	1365lm	9350418031983
	<b>HV9762-IP20-480-5K-30M</b>	5500k	1340lm	9350418031990

\*Ordered after 01-01-2022

For More Information Contact Havit Lighting

143 Beauchamp Road  
Matraville NSW 2036  
Australia

Tel: 02 9381 8300  
Fax: 02 9666 8881  
Email: sales@havit.com.au  
Web: www.havit.com.au



Warranty Terms & Conditions



www.havit.com.au