

PRODUCT SPECIFICATIONS

Material: Plastic

Colour: White

Input Voltage: 240v AC

Output Voltage: 12v DC

Output Power: 4w*

Wiring: Parallel

IP Rating: IP65

Dimmable: No

Warranty: 2 Years Replacement**

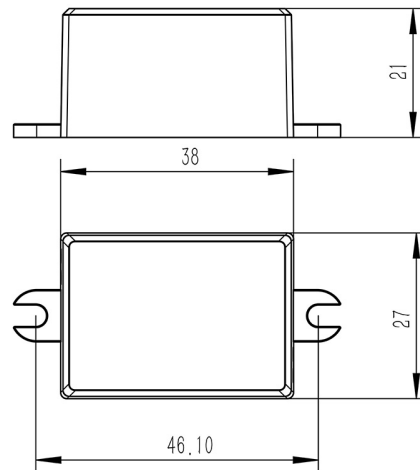


COMPATIBLE WITH

12v DC Lights and LED Strip



DIMENSIONS



IP RATING



APPROVAL



Product Ordering

IMAGE	VOLTAGE	PART NUMBER
	12v DC	HV9665-12V4W

SAMPLE INSTALLATION DIAGRAM



* Recommended maximum Load of 3w

** See Warranty Terms and Conditions for more information

For more information contact Havit Lighting

ADDRESS:
143 Beauchamp Road
Matraville NSW 2036
Australia

Tel: 02 9381 8300
Fax: 02 9666 8881
Email: sales@havit.com.au
web: www.havit.com.au

Output	DC Voltage	12V
	Voltage Tolerance	±0.5V
	Voltage Regulation	± 0.5%
	Rated current	0.33A
	Rated power	4W
Input	Voltage Range	220-240V AC
	Frequency range	47 - 63HZ
	Power Factor (Typ.)	PF≥0.97 (Full loading)
	Full Load Efficiency(Typ.)	80%
	AC Current(Max.)	0.10A
	Leakage Current	<0.50mA
Protection	Short Circuit	Hiccup mode, recovers automatically after fault condition is removed
	Over Load	≤120% shut down o/p voltage, re-power on to recover after fault condition is removed
	Over Temperature	100°C ± 10°C shut down o/p voltage, re-power on to recover
	Protection Class:	II
Environment	Working temperature	40 - +60°C
	Working humidity	20 - 90%RH,non-condensing
	Storage temp. and humidity	-40- + 80°C, 10-95%RH
	Temp. coefficient	±0.03%/°C (0-50°C)
	Vibration	10-500Hz,2G 12min./1 cycle,period for 72min.each along X.Y.Z axes.
Safety and EMC	Safety standards	EN61347-1 EN61347-2-13 IP20
	Withstand voltage	I/P-O/P:3.75KVAC I/P-FG:1.88KVAC O/P-FG:0.5KVAC
	Insulation resistance	I/P-O/P I/P-FG O/P-FG:100MΩ/500VDC/25°C/70%RH
	EMC Emission	EN55015,EN61000-3-2,3 (>60%loading)
	EMC Immunity	EN61000-4-2,3,4,5,6,11,EN61547, A light industry level (Surge 4KV)