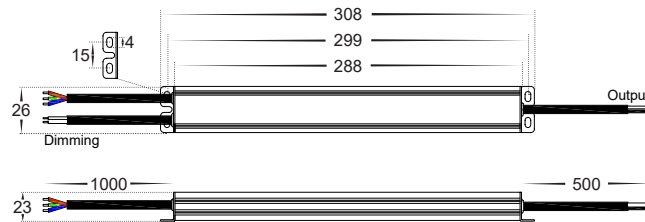


60W DALI + Push Dim Dimmable LED Driver

Material	Aluminium
Colour	Anodised Grey
IP Rating	IP66
Input Voltage	100v - 277v AC
Output Voltage	Available in either 12v DC or 24v DC
Max Wattage	60w (Recommended Max Wattage = 48w)
Protection Class	1 (Earth Required)
Dimming Methods	DALI or Push Dim
Dimming Range	0% - 100%
Protections	Short Circuit, Overload, Over Temperature
Warranty	3 Years Replacement



Dimensions



Product Ordering

Part Number	Output Voltage	Barcode
HV96632-12V60W	12v DC Constant Voltage	9350418036209
HV96632-24V60W	24v DC Constant Voltage	9350418036247

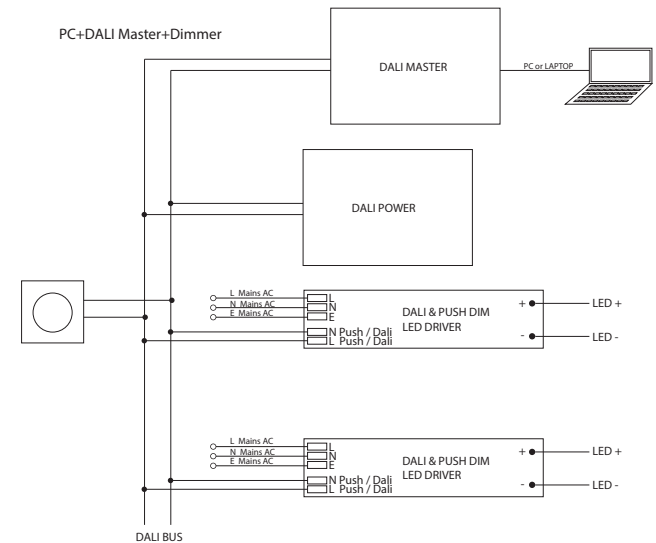
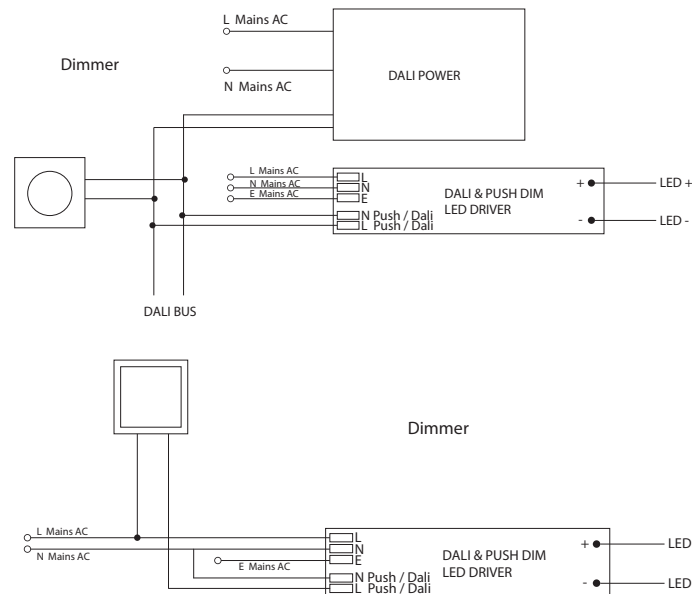


Website



Warranty
Terms & Conditions

Sample Wiring Diagrams



	Part Number	HV96632-12V60W	HV96632-24V60W
Output	DC Voltage	12v DC (12-13.5V Adjust by NFC)	24v DC (24-26V Adjust by NFC)
	Voltage Tolerance	± 0.2V	
	Rated Current	5A	2.5A
	Rated Power	60W	
	Load Regulation	± 2%	
Input	Standby Power Consumption	≤ 0.5W	≤ 0.5W
	Voltage Range	100-277V AC	
	Frequency Range	47 - 63Hz	
	Power Factor (TYP) @ Full Load	PF≥0.99 @ 120V AC PF≥0.98 @ 230V AC PF≥ 0.95 @ 277V AC (Full Loading)	
	THD(Typ.) @ Full Load	≤10% @ 120V AC ≤ 10% @ 230V AC ≤15% @ 277V AC	
	Efficiency(Typ.)@ Full Load	89% @ 120V AC 91.5% @ 230V AC 91.5% @ 277V AC	
	AC Current (Max)	0.8A	0.8A
	Inrush Current (TYP)	18.4A, 204us@50% (120V AC)	
		64.8A, 132us@50% (230V AC)	
		45.6A, 212us@50% (277V AC)	
	Leakage Current	.05mA	
Protections	Short Circuit	Hiccup mode, Recover automatically after fault condition is removed	
	Overload	≤120%, Hiccup mode, Recover automatically after fault condition is removed	
	Over Temperature	Shell surface temp.100°C ± 10°C, output will be off; recovers automatically after temp. drops.	
Environment	Working Temp.	-40°~+60°C	
	Working Humidity	20 - 95%RH, Non Condensing	
	Storage TEMP. Humidity	-40 - +80°C, 10 - 95% RH	
	TEMP. Coefficient	≤0.03%/°c (0-50°C)	
	Vibration	10-500Hz, 5G 12min./1 Cycle, Period for 72min, each along X,Y,Z axes	
Safety & EMC	Safety Standards	EN61347-1	
	Isolation Resistance	I/P-O/P: 100MΩ / 500VDC / 25°C/ 70%RH Ω	
	EMC Emission	EN55015 EN61000-3-2,3(≥50%) (EU) & FCC Part 15 Subpart B(US)	
	EMC Immunity	EN61000-4-2,3,4,5,6,11 EN61547	
Others	Weight	0.41Kg	

