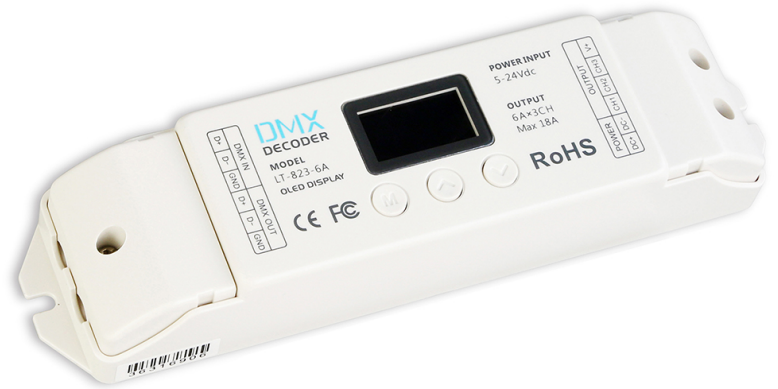
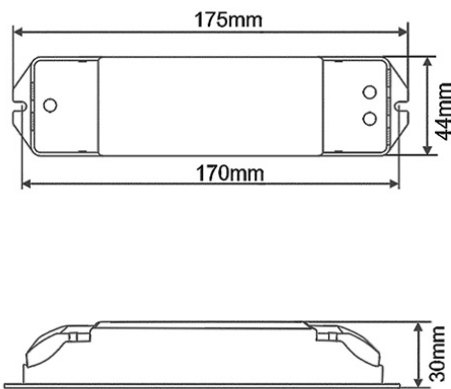


PRODUCT SPECIFICATIONS

- Material:** Plastic
- Colour:** White
- LED Strip Type:** RGB
- No. of Channels:** 3
- Input Voltage:** 12v DC or 24v DC
- Output Power:** 3x 6A (216w/432w)
- Input Signal:** DMX 512
- IP Rating:** IP20
- Dimmable:** Yes (0.1% - 100%)
- Warranty:** 2 Years Replacement**



DIMENSIONS



COMPATIBLE WITH

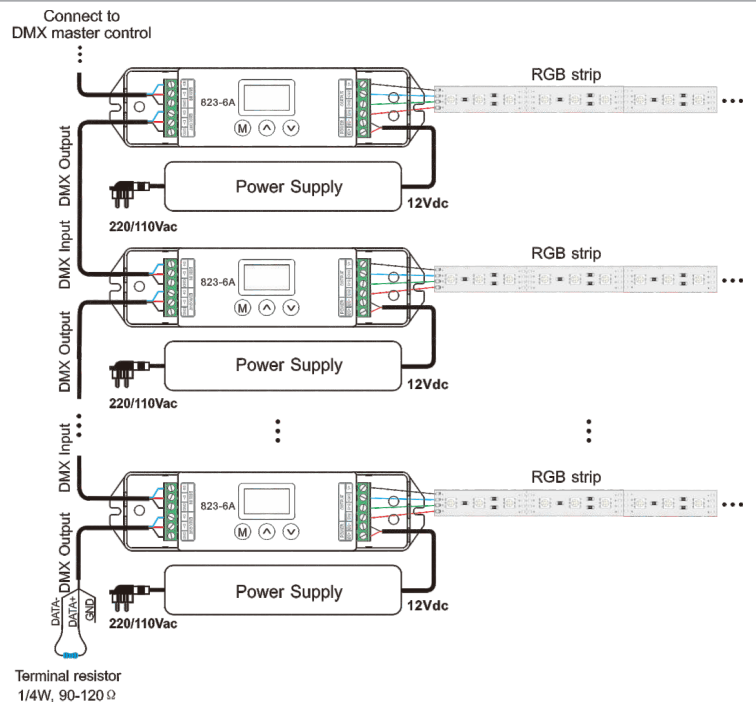


HV9101-DX3

IP RATING



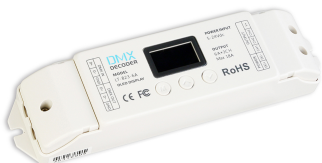
SAMPLE INSTALLATION DIAGRAM



Product Ordering

IMAGE

PART NUMBER



HV9109-LT-823-6A

** See Warranty Terms and Conditions for more information

For more information contact Havit Lighting

ADDRESS:
143 Beauchamp Road
Matraville NSW 2036
Australia

Tel: 02 9381 8300
Fax: 02 9666 8881
Email: sales@havit.com.au
web: www.havit.com.au