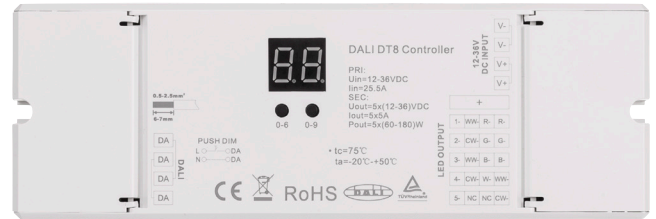


# Dali DT8 5 Channel LED Strip Controller



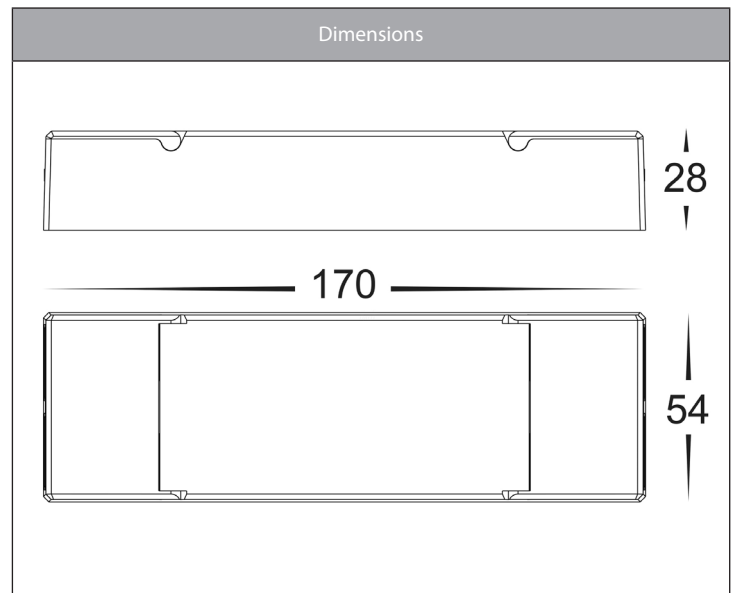
## Product Data

- Built-in DALI-2 interface, DALI DT8 device
- Multi-addresses enabled DT8 control gear
- Multi-devices integrated in one control gear
- Multi-functional, 7 in 1: Tc, RGBWAF, XY, 2\*Tc, XY+Tc, RGB+Tc, XY+W (DT6)
- DALI address manually assignable through manual set buttons and showed on the display
- Can be set as different device types: single-address types or multi-addresses types
- Single-address device types: Tc, RGBWAF, XY
- Multi-addresses device types: 2\*Tc, XY+Tc, RGB+Tc, XY+W (DT6)
- 5 Channels constant voltage output
- Control of five PWM outputs via DALI device type 8
- Colour control as defined in the DALI specification device type 8
- Supports DT8 device commands, compatible with universal DALI masters that support DT8 commands
- Configuration via DALI master USB interface
- Colour temperature and RGB Colour control through push dim mode even without DALI



## Product Specifications

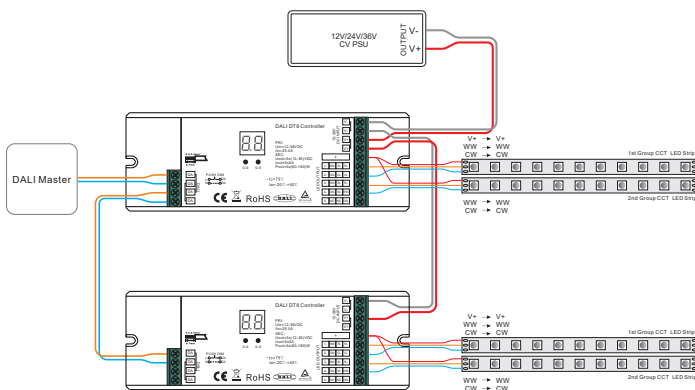
Part Number	HV9107-2309P-5C
Material	Plastic
Colour	White
IP Rating	IP20
LED Strip Type	CT, RGBW, RGBCW
Input Voltage	12-36V DC
Protection Class	3 (no earth required - low voltage)
Output Current	5x 5A
Output Power	5x 60-180w (300w - 900w)
Dali Consumption	2mA
Dimming Range	0.1%-100%
Ambient Temperature	-20°C - + 50°C
Warranty	3 Years Replacement*



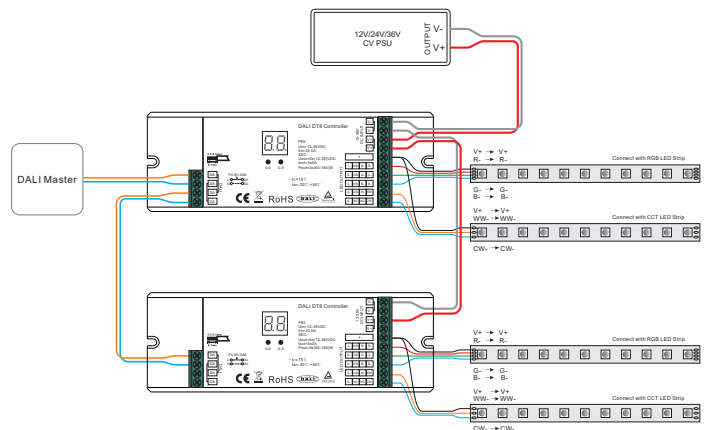
## Sample Wiring Diagrams

With DALI Master

1.1 When **Tc** multi-addresses Tc device type selected



1.2 When **Hc** multi-addresses XY+Tc device type selected



Note: 1) Please make sure that the DALI master controller supports XY & Tc color type commands.  
2) The control gear will be discovered by master controller as 2 separate devices: XY, Tc.

\*Items ordered after 01-01-2022

Havit Lighting  
143 Beauchamp Road,  
Matrville, N.S.W. 2036

Phone: 9381 8300  
Email: sales@havit.com.au  
Web: www.havit.com.au



Warranty Terms & Conditions



www.havit.com.au