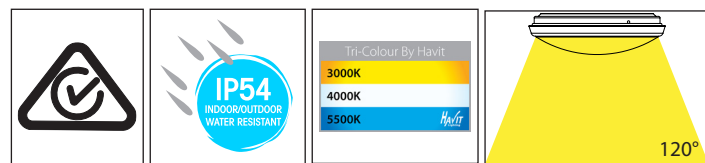


Ostron LED Oyster Lights



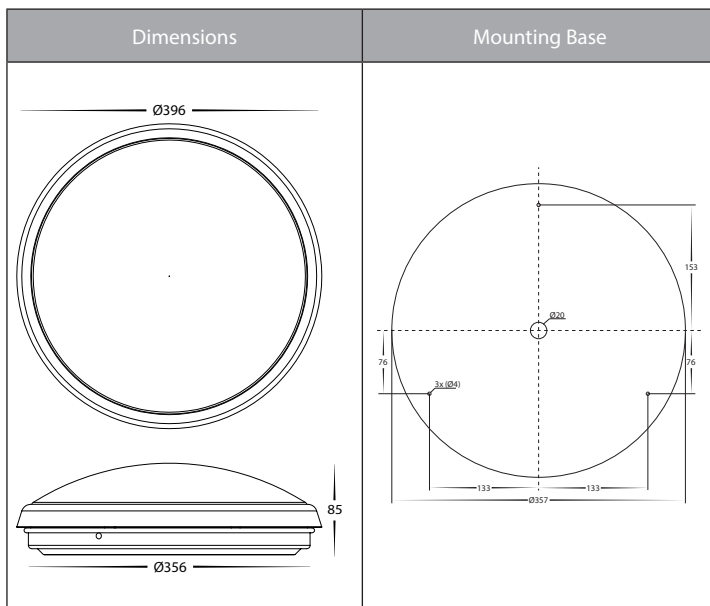
Product Specifications

Name	Ostron
Material	Polycarbonate + Aluminium
Colour	White or Black
IP Rating	IP54
IK Rating	IK06
Installation Type	Ceiling - Surface Mounted
Lamp Base	Replaceable Built in LED (HV5880T-28W)
Max Wattage	28w
Protection Class	1 (Earth Required)
Lamp Expectancy	<30,000hrs
Diffuser Type	Opal Polycarbonate
CRI	CRI>80
Dimmable	Yes - Triac Dimming
Warranty	3 Years Replacement*



Optional Havit Compatible Accessories

Image	Part Number	Description
	HV9625	LED Dimmer - 300w Max



Product Ordering

Image	Part Number	Colour Temp	Lumens	Input Voltage	Beam Angle	Included LED	Barcode
	HV5889T-BLK	3000k 4000k 5000k	1605lm 1925lm 1815lm	240v AC	120°	TRI Colour 28w Built in LED	9350418026576
	HV5889T-WHT	3000k 4000k 5000k	1605lm 1925lm 1815lm	240v AC	120°	TRI Colour 28w Built in LED	9350418026583

*Items ordered after 01-01-2022