



Focus Polycarbonate Double Adjustable Sensor Spot Lights



Product Specifications

Name	Focus
Material	UV Resistant Polycarbonate
Colour	Matt Black or Matt White
IP Rating	IP65
Installation Type	Wall or Ceiling - Surface Mounted
Lamp Base	Built in LED
Protection Class	240v = 2 (No Earth Required)
Max Wattage	2x 15w Built in LED
Lamp Expectancy	<30,000hrs
Diffuser Type	Semi frosted glass
CRI	CRI>80
Sensor Type	Microwave
Sensor Range	Up to 10m
Sensor Detection	120°
Manual Override	Yes
Standby Mode	Yes - 10%, 25%, 50%
Settings	Adjustable Lux and Time using Remote Supplied
Dimmable	No
IK Rating	IK06
Warranty	3 Years Replacement*



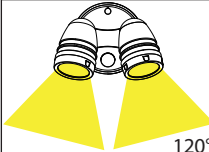
Tri-Colour By Havit

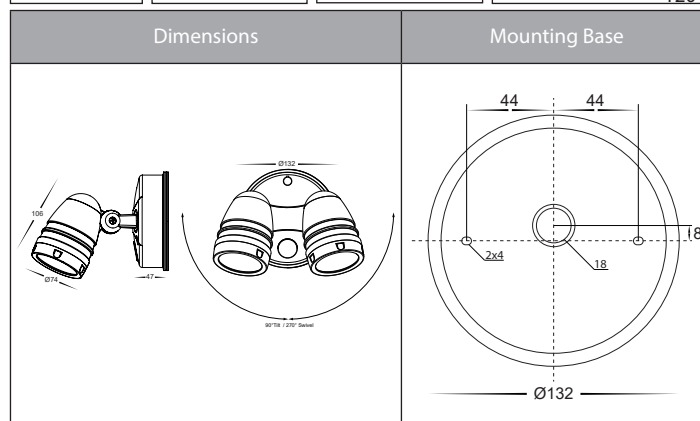
3000K

4000K



5500K

Havit





Product Ordering

Image	Part Number	Colour Temp	Lumens	Input Voltage	Beam Angle	Included LED	Barcode
	HV3794T-BLK	3000k 4000k 5500k	2x 1200lm 2x 1275lm 2x 1350lm	240v AC	120°	TRI Colour 2x 15w Built in LED	9350418028501
	HV3794T-WHT	3000k 4000k 5500k	2x 1200lm 2x 1275lm 2x 1350lm	240v AC	120°	TRI Colour 2x 15w Built in LED	9350418028518

*Items ordered after 01-01-2022

