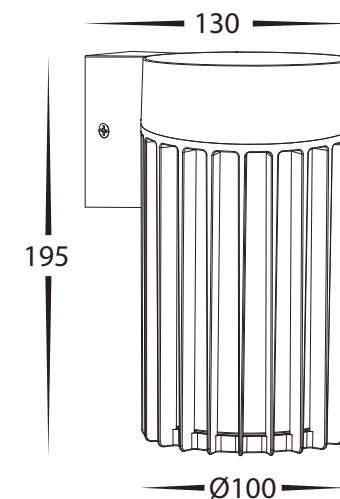


Tenac Aluminium Black Wall Light

Name	Tenac
Material	Aluminium
Colour	Poly Powder Coated Black
IP Rating	IP54
Colour Temp	 3000k 4000k 5000k
IK Rating	IK06
Installation Type	Wall - Surface Mounted
Diffuser Type	Opal PC
Lamp Base	E27
Max Wattage	9w
Protection Class	240v =1 (Earth Required)
Lamp Expectancy	<30,000hrs
CRI	CRI>80
Dimmable	No
Warranty	3 Years Replacement



Dimensions



Product Ordering

Image	Part Number	Colour Temp	Lumens	Input Voltage	Beam Angle	Included LED	Barcode
	HV3693T-BLK	3000K 4000K 5500K	700lm 740lm 720lm	240v AC	180°	TRI Colour 9w E27 LED	9350418038289