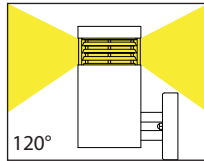
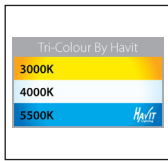


# Mini Louvre 316 Stainless Steel Wall Light



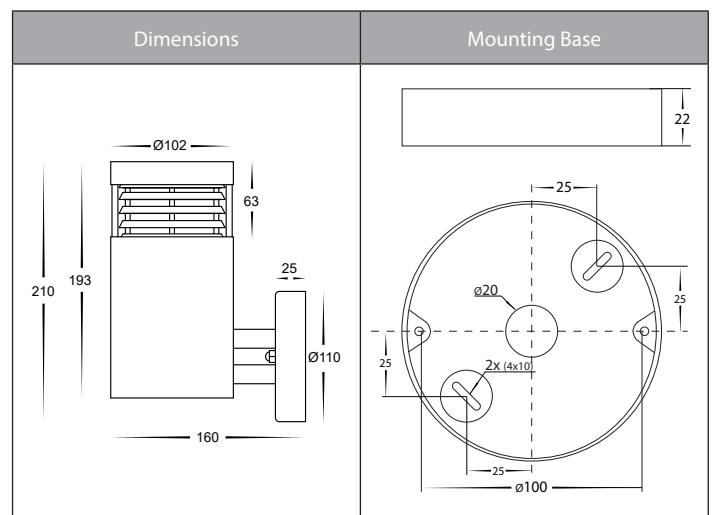
## Product Specifications

Name	Mini Louvre
Material	316 Stainless Steel
Colour	Stainless Steel & Poly Powder Coated Black
IP Rating	IP54
IK Rating	IK08
Installation Type	Wall - Surface Mounted
Lamp Base	E27
Max Wattage	9w
Protection Class	1 (Earth Required)
Lamp Expectancy	<30,000hrs
Diffuser Type	Polycarbonate
CRI	CRI>80
Dimmable	No
Warranty	3 Years Replacement*



## Optional Havit Compatible Accessories

Image	Part Number	Description
	HV9971	Stainless Steel Maintenance Kit - Kit includes rejuvenating paste + Spray for final protection coating



## Product Ordering

Image	Part Number	Colour Temp	Lumens	Input Voltage	Beam Angle	Included LED	Barcode
	<b>HV3622T-BLK</b>	3000k 4000k 5500k	700lm 720lm 740lm	240v AC	120°	<b>TRI Colour</b> 9w E27 LED	9350418018519
	<b>HV3622T-SS316</b>	3000k 4000k 5500k	700lm 720lm 740lm	240v AC	120°	<b>TRI Colour</b> 9w E27 LED	9350418018502

\*Items ordered after 01-01-2022