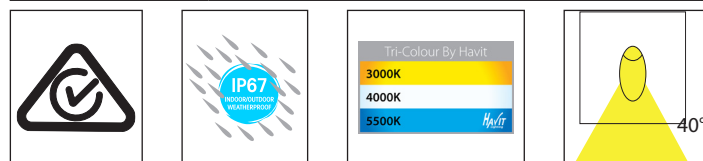


# Reces 316 Stainless Steel or Aluminium Recessed Wall or Step Lights



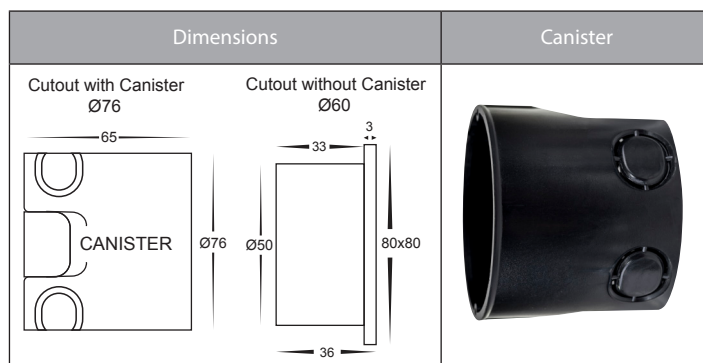
## Product Specifications

Name	Reces
Material	316 Stainless Steel or Aluminium
Colour	Stainless Steel, Black, White & Antique Brass
Cut Out	With Canister = Ø76mm
	Without Canister = Ø60mm
IP Rating	IP67
IK Rating	IK10
Installation Type	Wall - Recessed
Cable Length	300mm
Lamp Base	Built in LED
Max Wattage	2.5w
Protection Class	3 (No Earth Required)
Lamp Expectancy	<30,000hrs
CRI	CRI>80
Dimmable	Yes
Warranty	3 Years Replacement*



## Optional Havit Compatible Accessories

Image	Part Number	Description
	HV9971	Stainless Steel Maintenance Kit - Kit includes rejuvenating paste + Spray for final protection coating
	12v DC LED Drivers	See Catalogue or Website for full range of 12v DC LED Drivers
	HV9911	Small IP67 Weatherproof Connector
	HV9912	Medium IP67 Weatherproof Connector
	HV9913	Large IP67 Weatherproof Connector



## Product Ordering

Image	Part Number	Colour Temp	Lumens	Input Voltage	Beam Angle	Included LED	Barcode
	<b>HV3215T-AB-12V</b>	3000k 4000k 5500k	150lm 160lm 155lm	12v DC	40°	<b>TRI Colour</b> 2.5w Built in LED	9350418028099
	<b>HV3215T-BLK-12V</b>	3000k 4000k 5500k	150lm 160lm 155lm	12v DC	40°	<b>TRI Colour</b> 2.5w Built in LED	9350418028013
	<b>HV3215T-SS316-12V</b>	3000k 4000k 5500k	150lm 160lm 155lm	12v DC	40°	<b>TRI Colour</b> 2.5w Built in LED	9350418028020
	<b>HV3215T-WHT-12V</b>	3000k 4000k 5500k	150lm 160lm 155lm	12v DC	40°	<b>TRI Colour</b> 2.5w Built in LED	9350418028037

\*Items ordered after 01-01-2022