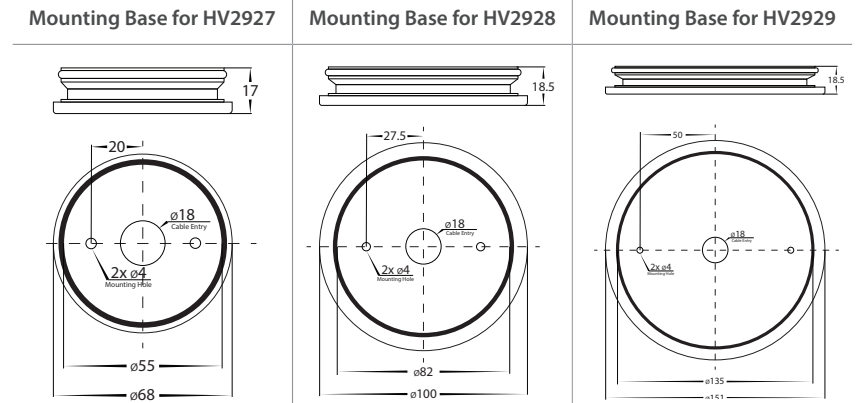
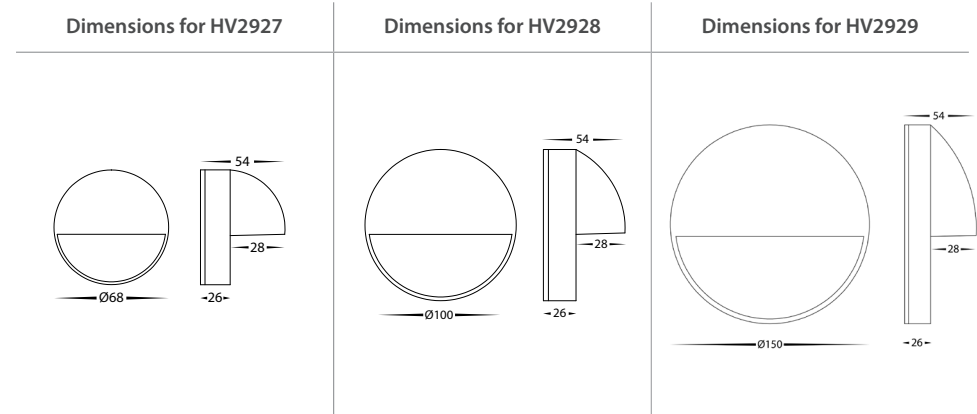


# Veko 316 Stainless Steel

## Wall or Step Lights with Eyelid

Name	Veko
Material	316 Stainless Steel
Colour	Stainless Steel
IP Rating	IP65
Colour Temp	<input type="checkbox"/> 3000k <input type="checkbox"/> 4000k <input type="checkbox"/> 5500k
IK Rating	IK10
Installation Type	Wall - Surface Mounted
Diffuser Type	Glass
Lamp Base	Built in LED
Max Wattage	2w, 6w, 10w
Protection Class	240v = 1 (Earth Required) 12v DC = 3 (No Earth Required)
Lamp Expectancy	<30,000hrs
CRI	CRI>80
Dimmable	Yes - Triac / Phase Cut
Warranty	3 Years Replacement



### Product Ordering

Image	Part Number	Colour Temp	Lumens	Input Voltage	Beam Angle	Included LED	Barcode
	HV2927T-SS316-12V	<input type="checkbox"/> 3000k <input type="checkbox"/> 4000k <input type="checkbox"/> 5500k	100lm 110lm 105lm	12V DC	120°	TRI Colour Built in 2w LED	9350418038128
	240V AC			9350418038135			
	HV2928T-SS316-12V		300lm 310lm 305lm	12V DC		TRI Colour Built in 6w LED	9350418038142
	240V AC		9350418038159				
	HV2929T-SS316-12V		500lm 510lm 505lm	12V DC		TRI Colour Built in 10w LED	9350418038166
	240V AC		9350418038173				



### Optional Havit Compatible Accessories

Image	Part Number	Description
	12v DC LED Drivers	See Catalogue or Website for full range of 12v DC LED Drivers
	HV9911	Small IP67 Weatherproof Connector
	HV9912	Medium IP67 Weatherproof Connector
	HV9913	Large IP67 Weatherproof Connector

