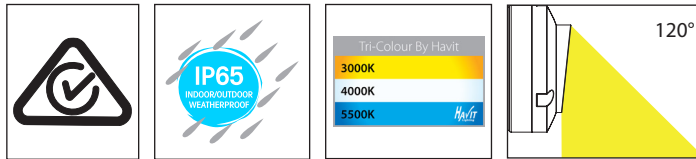


Pinta Aluminium Black Wall or Step Light with Louvres



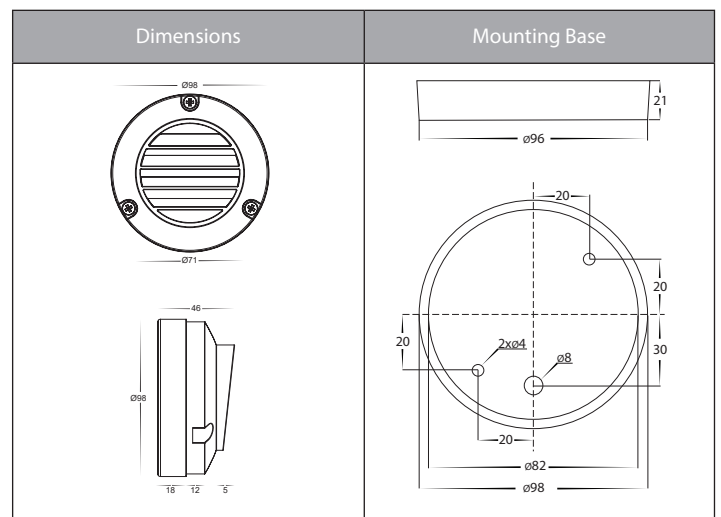
Product Specifications

Name	Pinta
Material	Aluminium
Colour	Poly Powder Coated Black
IP Rating	IP65
IK Rating	IK10
Installation Type	Wall - Surface Mounted
Cable Length	300mm
Lamp Base	G9, G4 or Built in LED
Max Wattage	G9 = 25w G4 = 20w
Protection Class	12v DC = 3 (No Earth Required)
Lamp Expectancy	<30,000hrs
Diffuser Type	Glass
CRI	CRI>80
Dimmable	No
Warranty	3 Years Replacement*



Optional Havit Compatible Accessories

Image	Part Number	Description
	12v DC LED Drivers	See Catalogue or Website for full range of 12v DC LED Drivers
	HV9911	Small IP67 Weatherproof Connector
	HV9912	Medium IP67 Weatherproof Connector
	HV9913	Large IP67 Weatherproof Connector



Product Ordering

Part Number	Colour Temp	Lumens	Input Voltage	Beam Angle	Included LED	Barcode
HV2925T-12V	3000k 4000k 5500k	160lm 170lm 180lm	12v DC	120°	TRI Colour 2.3w Built in LED	9350418013194

*Items ordered after 01-01-2022