

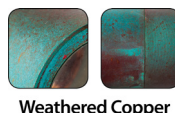
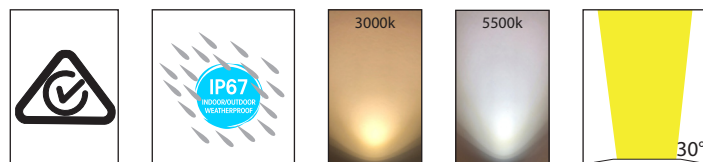
Mini Olo

Recessed Inground or Wall Lights



Product Specifications

Name	Mini Olo
Material	316 Stainless Steel & Copper
Colour	Stainless Steel, Poly Powder Coated Black & Copper
Cut out	Without Canister = 38mm
	With Canister = 46mm
IP Rating	IP67
IK Rating	IK10
Installation Type	Ground or Wall - Recessed
Cable Length	300mm
Lamp Base	Built in LED
Max Wattage	1w
Protection Class	3 (No Earth Required)
Lamp Expectancy	<30,000hrs
Diffuser Type	Glass
CRI	CRI>80
Dimmable	No
Warranty	3 Years Replacement*

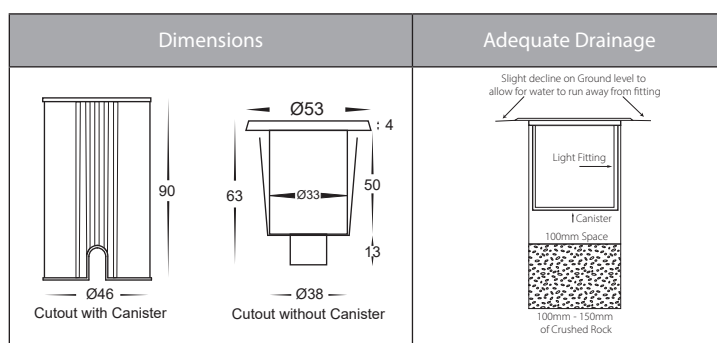


Weathered Copper

i Solid Brass and Solid Copper fittings will naturally tarnish. Solid brass fittings with additional coatings (Antique Brass & Graphite) may tarnish through the coating when installed in outdoor environments

Optional Havit Compatible Accessories

Image	Part Number	Description
	HV9971	Stainless Steel Maintenance Kit - Kit includes rejuvenating paste + Spray for final protection coating
	12v DC LED Drivers	See Catalogue or Website for full range of 12v DC LED Drivers
	HV9911	Small IP67 Weatherproof Connector
	HV9912	Medium IP67 Weatherproof Connector
	HV9913	Large IP67 Weatherproof Connector



Product Ordering

Image	Part Number	Colour Temp	Lumens	Input Voltage	Beam Angle	Included LED	Barcode
	HV2892W-BLK	3000k	80lm	12v DC	30°	1w Built in LED	9350418009807
	HV2892C-BLK	5500k	90lm	12v DC	30°	1w Built in LED	9350418009791
	HV2892W-SS316	3000k	80lm	12v DC	30°	1w Built in LED	9350418004062
	HV2892C-SS316	5500k	90lm	12v DC	30°	1w Built in LED	9350418004055
	HV2892W-CP	3000k	80lm	12v DC	30°	1w Built in LED	9350418007360
	HV2892C-CP	5500k	90lm	12v DC	30°	1w Built in LED	9350418007353

*Items ordered after 01-01-2022