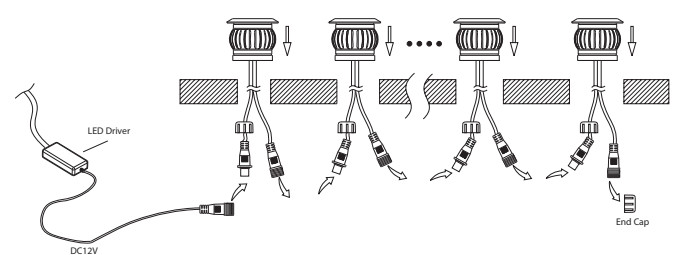
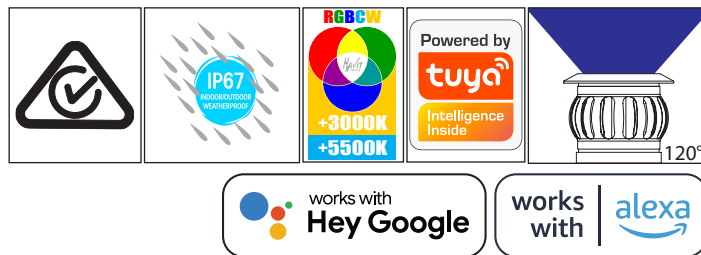


Flame 316 Stainless Steel Smart RGBCW Deck Lights



Product Specifications

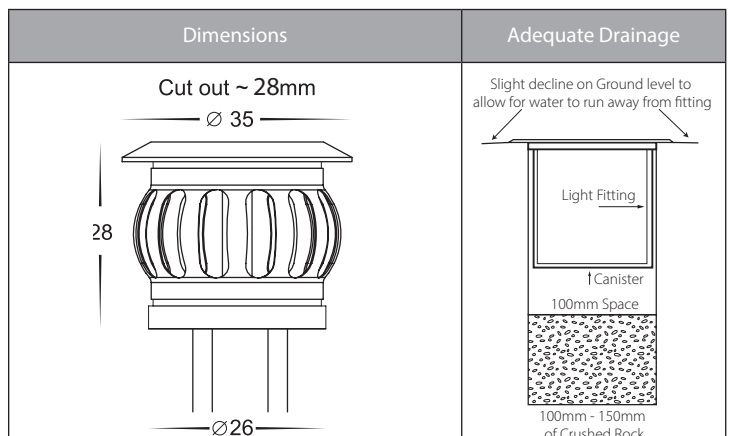
Name	Flame
Material	316 Stainless Steel
Colour	Stainless Steel
Cut Out	28mm
IP Rating	IP67
Installation Type	Ground - Recessed
Lamp Base	Built in LED
Max Wattage	0.5w
Protection Class	LED Driver = 2 (No Earth Required)
	Fitting = 3 (No Earth Required)
Lamp Expectancy	>30,000hrs
Diffuser Type	Opal Glass
Cable Length	2x 1500mm
CRI	CRI>80
Dimmable	Yes using RGBCW Controller or TUYA APP
IK Rating	IK05
Warranty	3 Years Replacement*



Driver, Remote Control, Wifi Receiver and 4m Extension Cable Supplied with 6 Light Kit

Optional Havit Compatible Accessories

Image	Part Number	Description
	HV2826RGBCW-2M-EXT	2m extension cable to extend length between fittings
	HV2826RGBCW-4M-EXT	4m extension cable to extend length between fittings
	HV2826-D-12W	12w LED Driver to suit
	HV9971	Stainless Steel Maintenance Kit - Kit includes rejuvenating paste + Spray for final protection coating
	12v DC LED Drivers	See Catalogue or Website for full range of 12v DC LED Drivers



Product Ordering

Image	Part Number	Colour Temp	Lumens	Input Voltage	Beam Angle	Included LED	Barcode
	HV28261RGBCW	RGBCW (RGB + 3000K + 5500K)	25lm	12v DC	120°	0.5w Built in LED	9350418033772
	HV2826RGBCW	RGBCW (RGB + 3000K + 5500K)	6x 25lm	Fitting - 12v DC Driver - 240v AC	120°	6x 0.5w Built in LED	9350418033765

*Items ordered after 01-01-2022