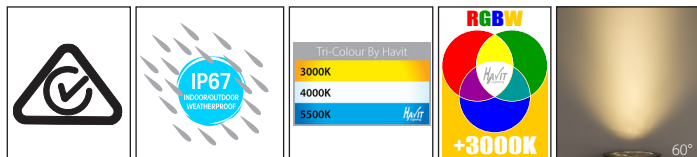


# Split 316 Stainless Steel Round Inground Lights



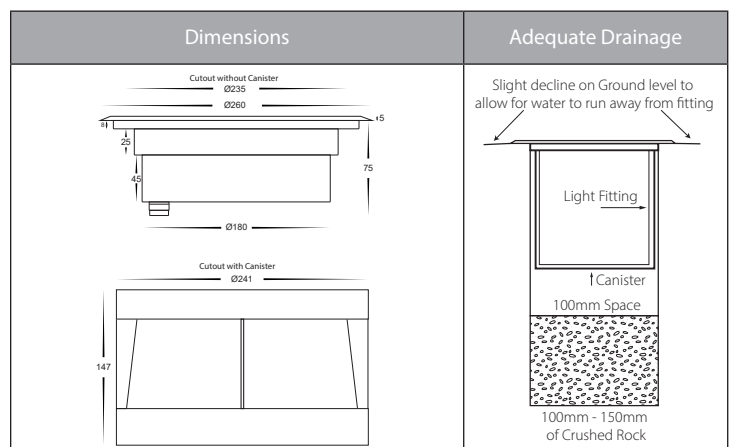
## Product Specifications

Name	Split
Material	316 Stainless Steel
Colour	Stainless Steel
IP Rating	IP67
IK Rating	IK10
Installation Type	Inground
Trafficable	1000kg
Cable Length	300mm
Lamp Base	Built in LED
Max Wattage	18w
Protection Class	3 (No Earth Required)
Lamp Expectancy	<30,000hrs
Diffuser Type	Clear Glass with Honeycomb Lens
CRI	CRI>80
Dimmable	RGBW Model Only with Controller
Warranty	3 Years Replacement*



## Optional Havit Compatible Accessories

Image	Part Number	Description
	HV9971	Stainless Steel Maintenance Kit - Kit includes rejuvenating paste + Spray for final protection coating
	12v DC LED Drivers	See Catalogue or Website for full range of 12v DC LED Drivers
	HV1845-F-SH	Security Face
	RGBW Controllers	See Catalogue or Website for full range of RGBW Controllers



## Product Ordering

Part Number	Colour Temp	Lumens	Input Voltage	Beam Angle	Included LED	Barcode
<b>HV1845T</b>	3000k 4000k 5500k	1200lm 1290lm 1350lm	12v DC	60°	<b>TRI Colour</b> 18w Built in LED	9350418018632
<b>HV1845RGBW</b>	RGBW (RGB + 3000k)	550lm (3000k)	12v DC	60°	<b>RGBW</b> 18w Built in LED	9350418011206

\*Items ordered after 01-01-2022