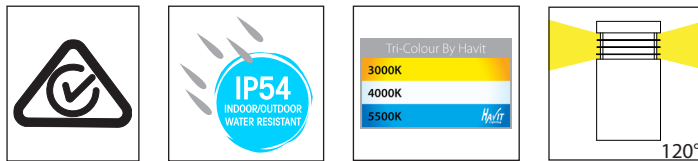


Maxi 900 316 Stainless Steel Bollard Lights



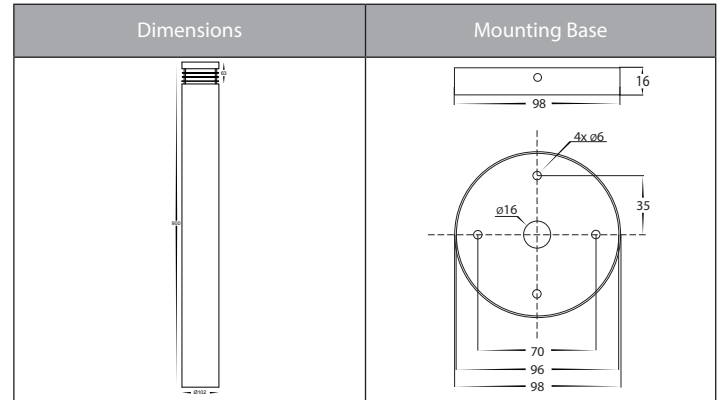
Product Specifications

Name	Maxi 900
Material	316 Stainless Steel
Colour	Stainless Steel or Poly powder coated black
IP Rating	IP54
Installation Type	Ground - Surface Mounted
Lamp Base	E27 or MR16
Max Wattage	15w - Must be used with LED Globes only
Protection Class	240v = 1 (Requires Earth) 12v DC = 3 (No Earth Required)
Lamp Expectancy	<30,000hrs
Diffuser Type	Frosted Perspex
CRI	CRI>80
Dimmable	No - Not with supplied globes, See below for GU10 dimmable options
IK Rating	IK08
Warranty	3 Years Replacement*



Optional Havit Compatible Accessories

Image	Part Number	Colour Temp	Input Voltage	Beam Angle	Included LED
	HV9507	3000k 4000k 5500k	12v DC	60°	TRI Colour 3/5/7w MR16 LED
	HV9508		24v DC		
	12v DC LED Drivers	See Catalogue or Website for full range of 12v DC LED Drivers			
	HV1607	Optional spike for installation into ground.			



Product Ordering

Image	Part Number	Colour Temp	Lumens	Input Voltage	Beam Angle	Included LED	Barcode
	HV1608T-SS316-240V	3000k 4000k 5500k	700lm 720lm 740lm	240v AC	120°	TRI Colour 9w E27 LED	9350418016171
	HV1608T-SS316-12V	3000k 4000k 5500k	270lm 285lm 300lm	12v DC	120°	TRI Colour 5w MR16 LED	9350418016164
	HV1608T-BLK-240V	3000k 4000k 5500k	700lm 720lm 740lm	240v AC	120°	TRI Colour 9w E27 LED	9350418016157
	HV1608T-BLK-12V	3000k 4000k 5500k	270lm 285lm 300lm	12v DC	120°	TRI Colour 5w MR16 LED	9350418016140

*Items ordered after 01-01-2022

