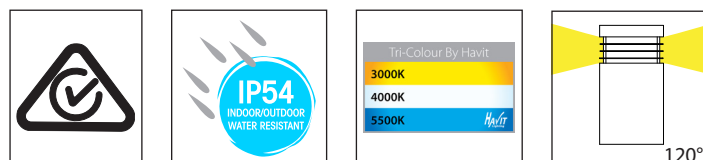


# Mini 316 Stainless Steel Bollard Lights



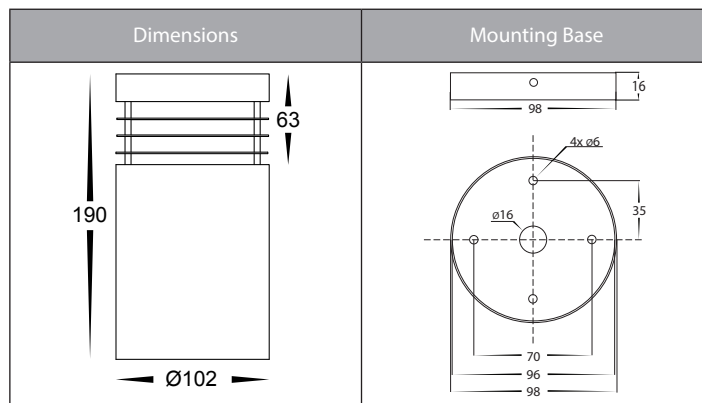
## Product Specifications

Name	Mini 190
Material	316 Stainless Steel
Colour	Stainless Steel or Poly powder coated black
IP Rating	IP54
Installation Type	Ground - Surface Mounted
Lamp Base	E27 or MR16
Max Wattage	15w - Must be used with LED Globes only
Protection Class	240v = 1 (Requires Earth) 12v DC = 3 (No Earth Required)
Lamp Expectancy	<30,000hrs
Diffuser Type	Frosted Perspex
CRI	CRI>80
Dimmable	No - Not with supplied globes, See below for GU10 dimmable options
IK Rating	IK08
Warranty	3 Years Replacement*



## Optional Havit Compatible Accessories

Image	Part Number	Colour Temp	Input Voltage	Beam Angle	Included LED
	HV9507	3000k 4000k 5500k	12v DC	60°	<b>TRI Colour</b> 3/5/7w MR16 LED
	HV9508		24v DC		
	12v DC LED Drivers	See Catalogue or Website for full range of 12v DC LED Drivers			
	HV1607	Optional spike for installation into ground.			



## Product Ordering

Image	Part Number	Colour Temp	Lumens	Input Voltage	Beam Angle	Included LED	Barcode
	<b>HV1605T-SS316-240V</b>	3000k 4000k 5500k	700lm 720lm 740lm	240v AC	120°	<b>TRI Colour</b> 9w E27 LED	9350418016096
	<b>HV1605T-SS316-12V</b>	3000k 4000k 5500k	270lm 285lm 300lm	12v DC	120°	<b>TRI Colour</b> 5w MR16 LED	9350418016089
	<b>HV1605T-BLK-240V</b>	3000k 4000k 5500k	700lm 720lm 740lm	240v AC	120°	<b>TRI Colour</b> 9w E27 LED	9350418016072
	<b>HV1605T-BLK-12V</b>	3000k 4000k 5500k	270lm 285lm 300lm	12v DC	120°	<b>TRI Colour</b> 5w MR16 LED	9350418016065

\*Items ordered after 01-01-2022

