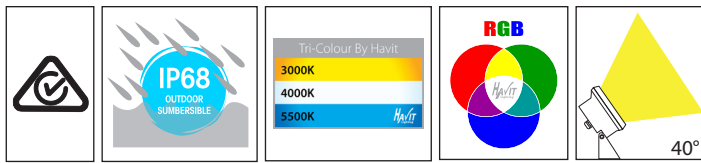


Sotto 316 Stainless Steel Pond Lights



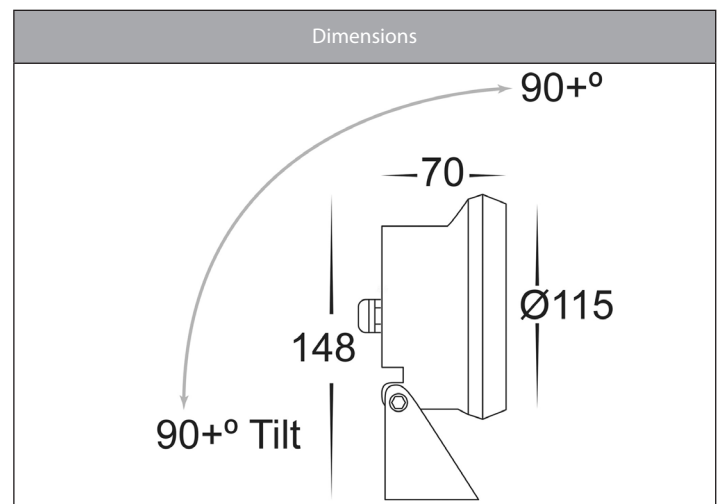
Product Specifications

Name	Sotto
Material	316 Stainless Steel
Colour	Stainless Steel
IP Rating	IP68
Installation Type	Ground - Surface Mounted
Lamp Base	Built in LED
Max Wattage	15w
Protection Class	3 (No Earth Required)
Lamp Expectancy	<30,000hrs
Diffuser Type	Clear Glass
Cable Length	6000mm
CRI	CRI>80
Dimmable	Yes - RGB Model Only
IK Rating	IK09
Warranty	3 Years Replacement*



Optional Havit Compatible Accessories

Image	Part Number	Colour Temp	Input Voltage	Beam Angle	Included LED
	HV9971				Stainless Steel Maintenance Kit - Kit includes rejuvenating paste + Spray for final protection coating
	12v DC LED Drivers		See Catalogue or Website for full range of 12v DC LED Drivers		
	RGB Controllers		See Catalogue or Website for full range of RGB Controllers		
	HV1494-REM		RGB Controller to control 1x fitting only		
	HV350-SPK		Spike to suit for inground installation		
	HV9911		Small IP67 Weatherproof Connector		
	HV9912		Medium IP67 Weatherproof Connector		
	HV9913		Large IP67 Weatherproof Connector		



Product Ordering

Image	Part Number	Colour Temp	Lumens	Input Voltage	Beam Angle	Included LED	Barcode
	HV1494T	3000k 4000k 5500k	875lm 925lm 975lm	12v DC	40°	Tri Colour 15w Built in LED	9350418036162
	HV1494RGB	RGB	275lm	12v DC	40°	RGB 15w Built in LED	9350418009463

*Items ordered after 01-01-2022

