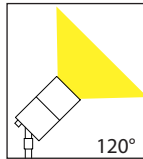
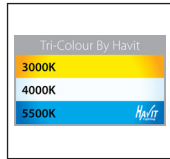


Fortis Stainless Steel Garden Spike Spot Lights



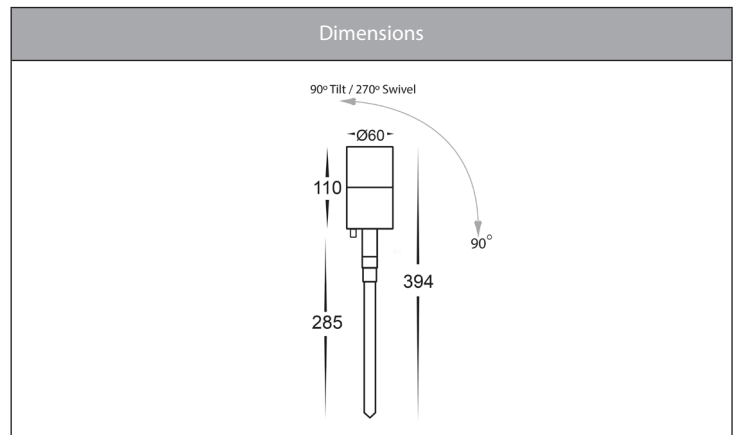
Product Specifications

Name	Tivah
Material	High Grade 304 Stainless Steel
Colour	Stainless Steel
IP Rating	IP54
Installation Type	Ground - Spike
Lamp Base	MR16
Max Wattage	1x 20w MR16
Protection Class	3 (No Earth Required)
Lamp Expectancy	<30,000hrs
Diffuser Type	Clear Glass
Cable Length	2000mm
CRI	CRI>80
Dimmable	No - Not with supplied globes
IK Rating	IK08
Warranty	3 Years Replacement*



Optional Havit Compatible Accessories

Image	Part Number	Colour Temp	Input Voltage	Beam Angle	Included LED
	HV9507	3000k 4000k 5500k	12v DC	60°	TRI Colour 3/5/7w MR16 LED
	HV9508	3000k 4000k 5500k	24v DC	60°	TRI Colour 3/5/7w MR16 LED
	12v DC LED Drivers	See Catalogue or Website for full range of 12v DC LED Drivers			
	HV9911	Small IP67 Weatherproof Connector			
	HV9912	Medium IP67 Weatherproof Connector			
	HV9913	Large IP67 Weatherproof Connector			



Product Ordering

Part Number	Colour Temp	Lumens	Input Voltage	Beam Angle	Included LED	Barcode
HV1409T	3000k 4000k 5500k	270lm 285lm 300lm	12v DC	120°	TRI Colour 5w MR16 LED	9350418015792

*Items ordered after 01-01-2022

