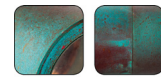
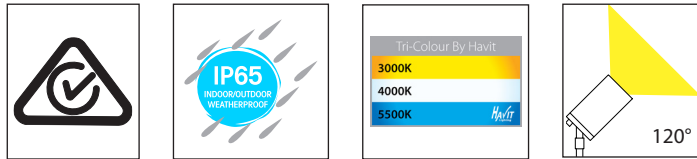


Eden 316 Stainless Steel & Copper Garden Spike Spot Lights



Product Specifications

Name	Pointe
Material	316 Stainless Steel or Solid Copper
Colour	Stainless Steel or Copper (Will age over time)
IP Rating	IP65
Installation Type	Ground - Spike
Lamp Base	MR16
Max Wattage	20w MR16
Protection Class	3 (No Earth Required)
Lamp Expectancy	<30,000hrs
Diffuser Type	Clear Glass
Cable Length	2000mm
CRI	CRI>80
Dimmable	No - Not with supplied globes
IK Rating	IK08
Warranty	3 Years Replacement*

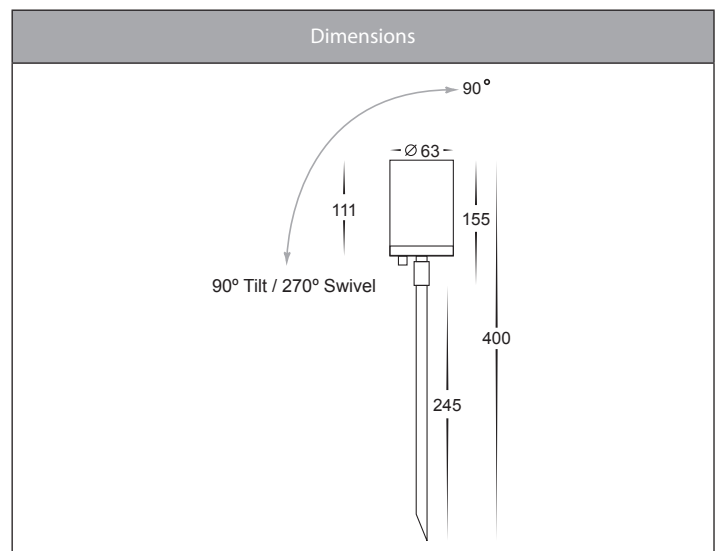


Weathered Copper
HV1412T
Solid Copper

Solid Brass and Solid Copper fittings will naturally tarnish. Solid brass fittings with additional coatings (Antique Brass & Graphite) may tarnish through the coating when installed in outdoor environments.

Optional Havit Compatible Accessories

Image	Part Number	Colour Temp	Input Voltage	Beam Angle	Included LED
	HV9507	3000k 4000k 5500k	12v DC	60°	TRI Colour 3/5/7w MR16 LED
	HV9508	3000k 4000k 5500k	24v DC	60°	TRI Colour 3/5/7w MR16 LED
	HV9971	Stainless Steel Maintenance Kit - Kit includes rejuvenating paste + Spray for final protection coating			
	12v DC LED Drivers	See Catalogue or Website for full range of 12v DC LED Drivers			
	HV9911	Small IP67 Weatherproof Connector			
	HV9912	Medium IP67 Weatherproof Connector			
	HV9913	Large IP67 Weatherproof Connector			



Product Ordering

Image	Part Number	Colour Temp	Lumens	Input Voltage	Beam Angle	Included LED	Barcode
	HV1402T	3000k 4000k 5500k	270lm 285lm 300lm	12v DC	120°	TRI Colour 5w MR16 LED	9350418015709
	HV1412T	3000k 4000k 5500k	270lm 285lm 300lm	12v DC	120°	TRI Colour 5w MR16 LED	9350418015808

*Items ordered after 01-01-2022

