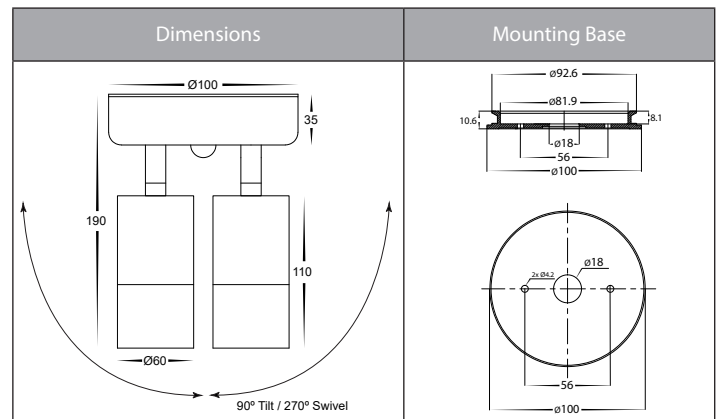
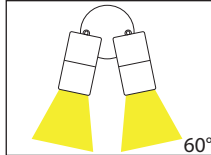
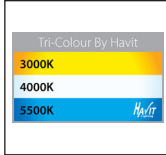


# Tivah Aluminium Black Double Adjustable Sensor Spot Lights



## Product Specifications

Name	Tivah
Material	Aluminium
Colour	Poly Powder Coated Black
IP Rating	IP65
Installation Type	Wall or Ceiling - Surface Mounted
Lamp Base	Available in Either GU10 or Built in LED
Protection Class	240v = 1 (Requires Earth)
Max Wattage	2x 35w GU10   2x 12w Built in LED
Lamp Expectancy	<30,000hrs
Diffuser Type	Clear Glass
CRI	CRI>80
Sensor Range	Up to 10m
Sensor Detection	120°
Manual Override	Yes
Settings	Adjustable Lux and Time on Sensor
Dimmable	No
IK Rating	IK10
Warranty	3 Years Replacement*



## Product Ordering

Part Number	Colour Temp	Lumens	Input Voltage	Beam Angle	Included LED	Barcode
<b>HV1325T-PIR</b>	3000k 4000k 5500k	2x 240-560lm 2x 255-595lm 2x 270-630lm	240v AC	60°	<b>TRI Colour</b> 2x 3/5/7w GU10 LED	9350418029232
<b>HV1326T-PIR</b>	3000k 4000k 5500k	2x 1080lm 2x 1140lm 2x 1200lm	240v AC	60°	<b>TRI Colour</b> 2x 12w Built in LED	9350418029249

\*Items ordered after 01-01-2022

