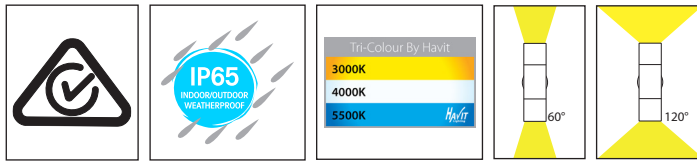


# Tivah Aluminium Titanium Up & Down Wall Lights



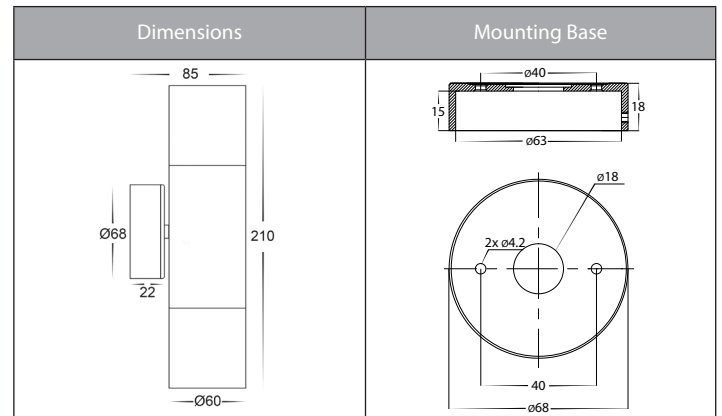
## Product Specifications

Name	Tivah
Material	Aluminium
Colour	Titanium
IP Rating	IP65
Installation Type	Wall - Surface Mounted
Lamp Base	Either GU10 or MR16
Protection Class	240v = 1 (Requires Earth)
	12v DC = 3 (No Earth Required)
Max Wattage	2x 35w GU10   2x 20w MR16
Lamp Expectancy	<30,000hrs
Diffuser Type	Clear Glass
CRI	CRI>80
Dimmable	No - Not with supplied globes, See below for optional dimmable globes
IK Rating	IK10
Warranty	3 Years Replacement*



## Optional Havit Compatible Accessories

Image	Part Number	Colour Temp	Input Voltage	Beam Angle	Included LED
	HV9506D	3000k 4000k 5500k	240v AC	60°	<b>TRI Colour</b> 3/5/7w GU10 LED
	12v DC LED Drivers	See Catalogue or Website for full range of 12v DC LED Drivers			



## Product Ordering

Part Number	Colour Temp	Lumens	Input Voltage	Beam Angle	Included LED	Barcode
<b>HV1085T</b>	3000k 4000k 5500k	2x 240-560lm 2x 255-595lm 2x 270-630lm	240v AC	60°	<b>TRI Colour</b> 2x 3/5/7w GU10 LED	9350418014917
<b>HV1087GU10T</b>	3000k 4000k 5500k	2x 270lm 2x 285lm 2x 300lm	240v AC	120°	<b>TRI Colour</b> 2x 5w GU10 LED	9350418014924
<b>HV1087MR16T</b>	3000k 4000k 5500k	2x 270lm 2x 285lm 2x 300lm	12v DC	120°	<b>TRI Colour</b> 2x 5w MR16 LED	9350418014931

\*Items ordered after 01-01-2022

