

WP350MA-3

Constant Current LED Driver



Description

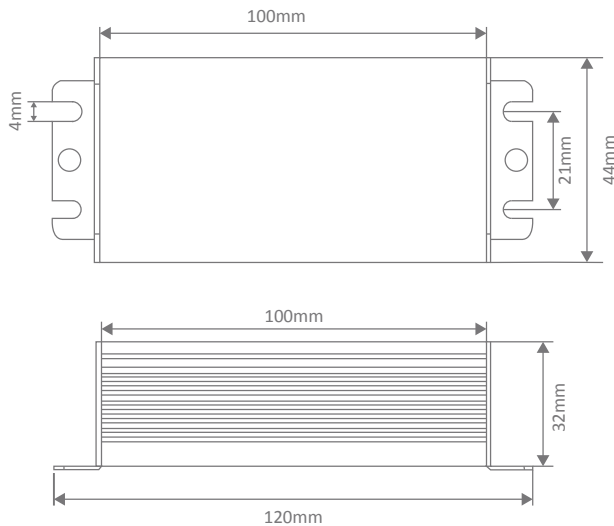
3W 350mA Constant Current LED driver. Featuring an anodised aluminium housing designed for harsh environmental conditions. Designed to work with luminaires requiring the use for 350mA Constant Current. Complete with flex and plug. Backed by a 3 Year replacement Warranty.

Specification Features

Input Voltage (AC):	200-260V AC (50/60Hz)
Output Voltage (DC):	7 - 9V
Output Current (A):	350mA
Output Wattage (W):	2.5 - 3W
Flex and Plug:	Yes
IP Rating (IP):	67
Dimensions:	(L) 100mm x (W) 44mm x (H) 32mm
Dimmable:	No
Warranty:	3 Year Replacement
Wiring:	Wire in Series



Diagrams / Additional



Item No.

DRIVER-WP350MA

Variant

20248

WP350MA-10

Constant Current LED Driver



Description

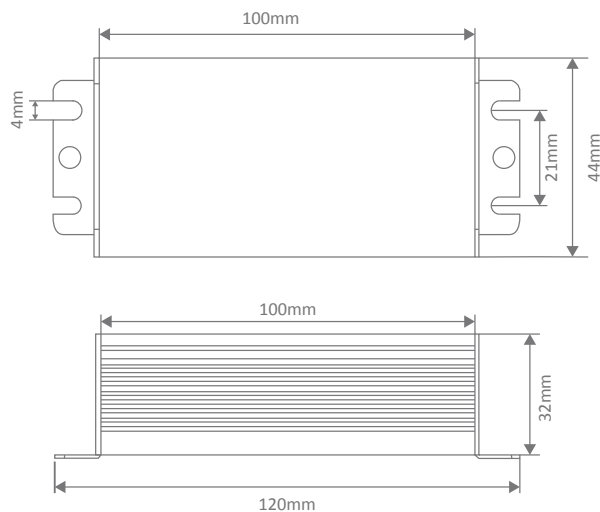
10W 350mA Constant Current LED driver. Featuring an anodised aluminium housing designed for harsh environmental conditions. Designed to work with luminaires requiring the use for 350mA Constant Current. Complete with flex and plug. Backed by a 3 Year replacement Warranty.

Specification Features

Input Voltage (AC):	200-260V AC (50/60Hz)
Output Voltage (DC):	26 - 30V
Output Current (A):	350mA
Output Wattage (W):	9 - 10W
Flex and Plug:	Yes
LED Indicator:	No
IP Rating (IP):	67
Dimensions:	(L) 100mm x (W) 44mm x (H) 32mm
Dimmable:	No
Warranty:	3 Year Replacement
Wiring:	Wire In Series



Diagrams / Additional



Item No.	Variant
DRIVER-WP350MA	20255

WP350MA-20

Constant Current LED Driver



Description

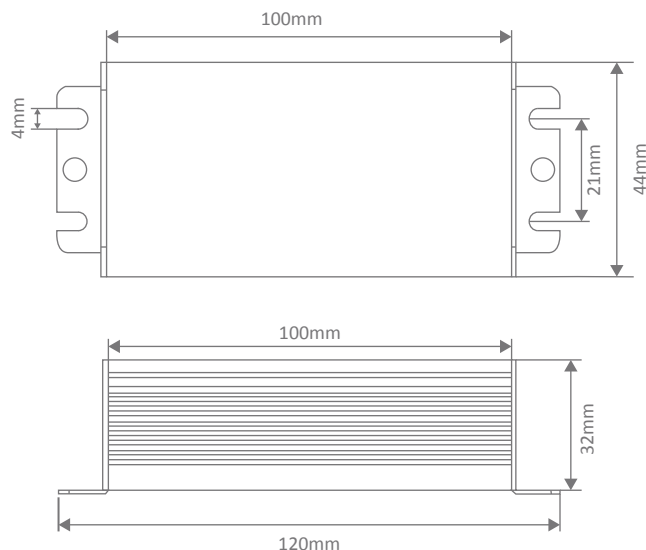
20W 350mA Constant Current LED driver. Featuring an anodised aluminium housing designed for harsh environmental conditions. Designed to work with luminaires requiring the use for 350mA Constant Current. Complete with flex and plug. Backed by a 3 Year replacement Warranty.

Specification Features

Input Voltage (AC):	200-260V AC (50/60Hz)
Output Voltage (DC):	40 - 57V
Output Current (A):	350mA
Output Wattage (W):	14 - 20W
Flex and Plug:	Yes
IP Rating (IP):	67
Dimensions:	(L) 100mm x (W) 44mm x (H) 32mm
Dimmable:	No
Warranty:	3 Year Replacement
Wiring:	Wire in Series



Diagrams / Additional



Item No.	Variant
DRIVER-WP350MA	20260