

WP24-10

Constant Voltage LED Driver



Description

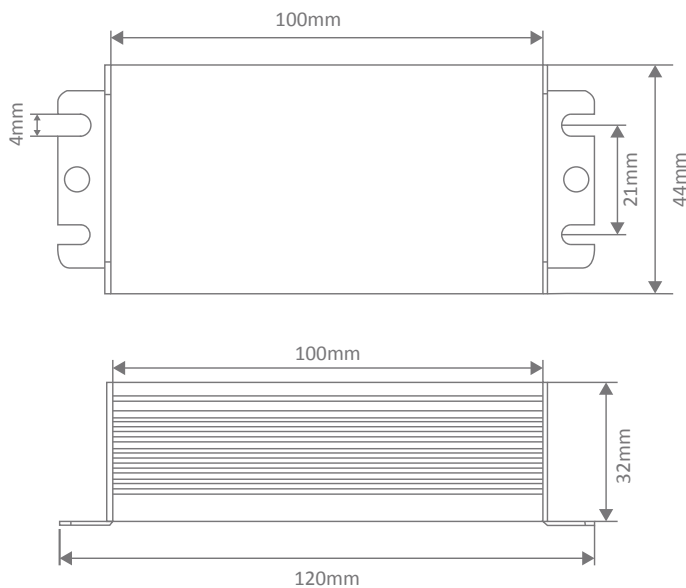
10W 24V DC Weatherproof Constant Voltage LED Driver for use on LED strip lighting, garden lights, Inground uplighters and much more. Complete with flex and plug. Backed by a 3 Year replacement Warranty.

Specification Features

| | |
|----------------------|--|
| Input Voltage (AC): | 200-260V 50/60Hz |
| Output Voltage (DC): | 24V DC |
| Output Wattage (W): | 1 - 10W |
| Flex and Plug: | Yes |
| IP rating (IP): | 67 |
| Dimensions: | (L) 100mm x (W) 44mm x (H) 32mm |
| Warranty: | 3 Year Replacement |
| Wiring: | Wire in Parallel |
| Protection: | Short Circuit, Over Voltage, Over Temperature & Overload |



Diagrams / Additional



| Item No. | Variant |
|--------------|---------|
| DRIVER-WP24V | 20249 |

WP24-15

Constant Voltage LED Driver



Description

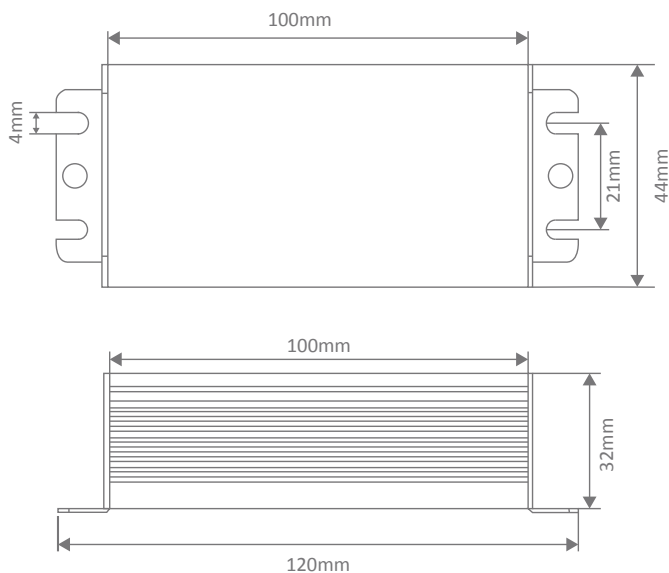
15W 24V DC Weatherproof Constant Voltage LED Driver for use on LED strip lighting, garden lights, inground uplighters and much more. Complete with flex and plug. Backed by a 3 Year replacement Warranty.

Specification Features

| | |
|----------------------|--|
| Input Voltage (AC): | 200-260V 50/60Hz |
| Output Voltage (DC): | 24V DC |
| Output Vattage (W): | 1.5 - 15W |
| Flex and Plug: | Yes |
| IP rating (IP): | 67 |
| Dimensions: | (L) 100mm x (W) 44mm x (H) 32mm |
| Warranty: | 3 Year Replacement |
| Wiring: | Wire in Parallel |
| Protection: | Short Circuit, Over Voltage, Over Temperature & Overload |



Diagrams / Additional



| Item No. | Variant |
|--------------|---------|
| DRIVER-WP24V | 20250 |

WP24-30

Constant Voltage LED Driver



Description

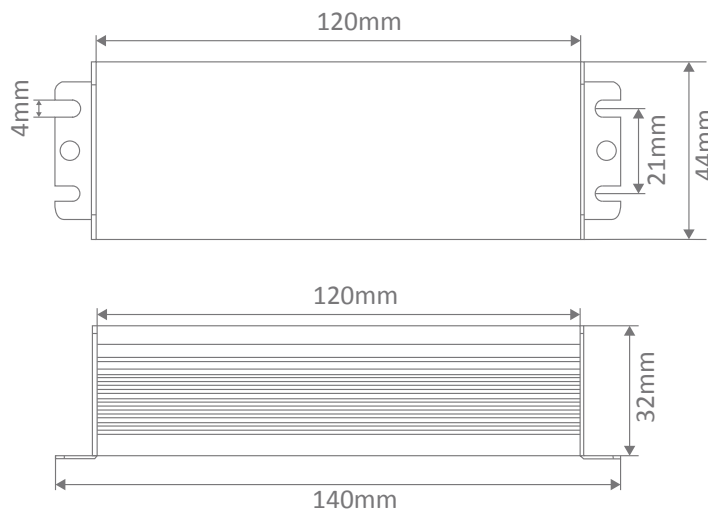
30W 24V DC Weatherproof Constant Voltage LED Driver for use on LED strip lighting, garden lights, inground uplighters and much more. Complete with flex and plug. Backed by a 3 Year replacement Warranty.

Specification Features

| | |
|----------------------|--|
| Input Voltage (AC): | 200-260V 50/60Hz |
| Output Voltage (DC): | 24V DC |
| Output Wattage (W): | 3 - 30W |
| Flex and Plug: | Yes |
| IP Rating (IP): | 67 |
| Dimensions: | (L) 120mm x (W) 44mm x (H) 32mm |
| Warranty: | 3 Year Replacement |
| Wiring: | Wire in Parallel |
| Protection: | Short Circuit, Over Voltage, Over Temperature & Overload |



Diagrams / Additional



| Item No. | Variant |
|--------------|---------|
| DRIVER-WP24V | 20251 |

WP24-60

Constant Voltage LED Driver



Description

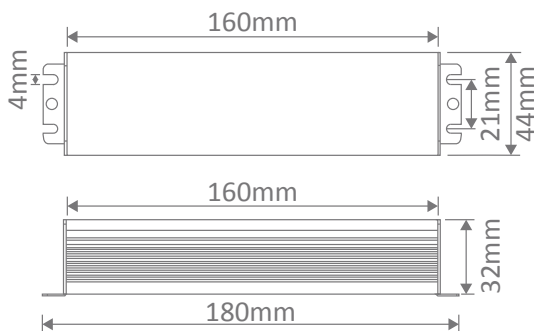
60W 24V DC Weatherproof Constant Voltage LED Driver for use on LED strip lighting, garden lights, inground uplighters and much more. Complete with flex and plug. Backed by a 3 Year replacement Warranty.

Specification Features

| | |
|----------------------|--|
| Input Voltage (AC): | 200-260V 50/60Hz |
| Output Voltage (DC): | 24V DC |
| Output Wattage (W): | 6 - 60W |
| Flex and Plug: | Yes |
| LED Indicator: | No |
| IP Rating (IP): | 67 |
| Dimensions: | (L) 160mm x (W) 44mm x (H) 32mm |
| Warranty: | 3 Year Replacement |
| Wiring: | Wire in Parallel |
| Protection: | Short Circuit, Over Voltage, Over Temperature & Overload |



Diagrams / Additional



| Item No. | Variant |
|--------------|---------|
| DRIVER-WP24V | 20252 |

WP24-100

Constant Voltage LED Driver



Description

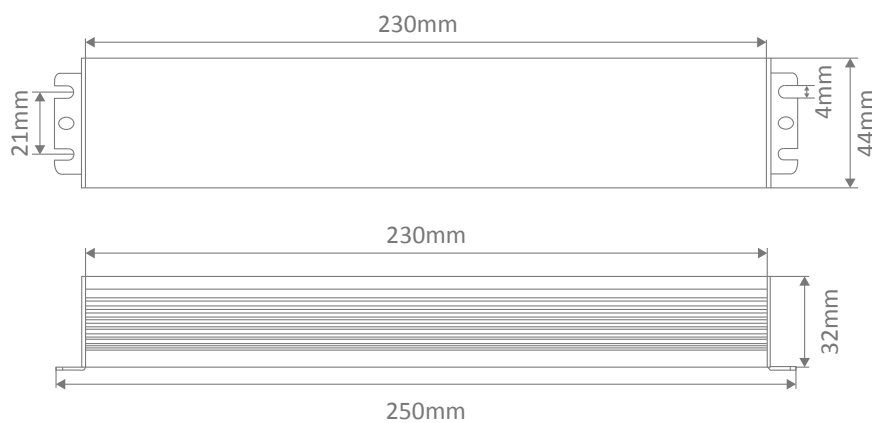
100W 24V DC Weatherproof Constant Voltage LED Driver for use on LED strip lighting, garden lights, inground uplighters and much more. Complete with flex and plug. Backed by a 3 Year replacement Warranty.

Specification Features

| | |
|----------------------|--|
| Input Voltage (AC): | 200-260V 50/60Hz |
| Output Voltage (DC): | 24V DC |
| Output Wattage (W): | 10 - 100W |
| Flex and Plug: | Yes |
| LED Indicator: | No |
| IP Rating (IP): | 67 |
| Dimensions: | (L) 230mm x (W) 44mm x (H) 32mm |
| Warranty: | 3 Year Replacement |
| Wiring: | Wire in Parallel |
| Protection: | Short Circuit, Over Voltage, Over Temperature & Overload |



Diagrams / Additional



| Item No. | Variant |
|--------------|---------|
| DRIVER-WP24V | 20253 |

WP24-150 Constant Voltage LED Driver



Description

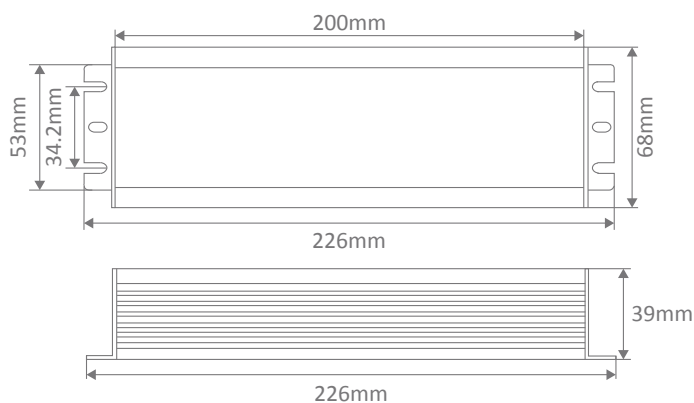
150W 24V DC Weatherproof Constant Voltage LED Driver for use on LED strip lighting, garden lights, inground uplighters and much more. Complete with flex and plug. Backed by a 3 Year replacement Warranty.

Specification Features

| | |
|----------------------|--|
| Input voltage (AC): | 200-260V 50/60Hz |
| Output voltage (DC): | 24V DC |
| Output wattage (W): | 15 - 150W |
| Flex and Plug: | Yes |
| LED Indicator: | No |
| IP rating (IP): | 67 |
| Dimensions: | (L) 200mm x (W) 68mm x (H) 39mm |
| Warranty: | 3 Year Replacement |
| Wiring: | Wire in Parallel |
| Protection: | Short Circuit, Over Voltage, Over Temperature & Overload |



Diagrams / Additional



| Item No. | Variant |
|--------------|---------|
| DRIVER-WP24V | 20254 |

WP24-200

Constant Voltage LED Driver



Description

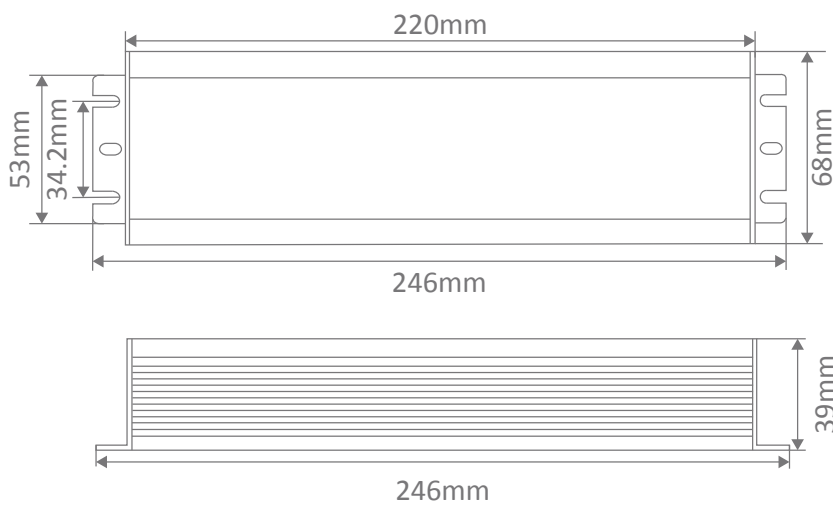
200W 24V DC Weatherproof Constant Voltage LED Driver for use on LED strip lighting, garden lights, inground uplighters and much more. Complete with flex and plug. Backed by a 3 Year replacement Warranty.

Specification Features

| | |
|----------------------|--|
| Input Voltage (AC): | 200-260V 50/60Hz |
| Output Voltage (DC): | 24V DC |
| Output Wattage (W): | 20 - 200W |
| Flex and Plug: | Yes |
| LED Indicator: | No |
| IP Rating (IP): | 67 |
| Dimensions: | (L) 220mm x (W) 68mm x (H) 39mm |
| Warranty: | 3 Year Replacement |
| Wiring: | Wire in Parallel |
| Protection: | Short Circuit, Over Voltage, Over Temperature & Overload |



Diagrams / Additional



| Item No. | Variant |
|--------------|---------|
| DRIVER-WP24V | 20257 |

WP24-250

Constant Voltage LED Driver



Description

250W 24V DC Weatherproof Constant Voltage LED Driver for use on LED strip lighting, garden lights, inground uplighters and much more. Complete with flex and plug. Backed by a 3 Year replacement Warranty.

Specification Features

| | |
|----------------------|--|
| Input Voltage (AC): | 200-260V 50/60Hz |
| Output Voltage (DC): | 24V DC |
| Output Wattage (W): | 25 - 250W |
| Flex and Plug: | Yes |
| IP Rating (IP): | 67 |
| Dimensions: | (L) 220mm x (W) 68mm x (H) 39mm |
| Warranty: | 3 Year Replacement |
| Wiring: | Wire in Parallel |
| Protection: | Short Circuit, Over Voltage, Over Temperature & Overload |



Diagrams / Additional

| Item No. | Variant |
|--------------|---------|
| DRIVER-WP24V | 20258 |

