



Max-75-DN

1M LED Suspended Profile

Description

The Max-75 Down suspension pendant is designed to suit commercial and residential applications, this profile system incorporates an extruded aluminium body with flat PMMA diffuser, and Osram Led boards. The system offers many additional options such as Dali dimming and emergency upon request.



Specification Features

Input Voltage:	240V
Power (W):	17.3W/Per Metre
IP rating (IP):	20
Lumens (lm):	Warm White 3000K - 2466lm Neutral White 4000K - 2600lm
LED type:	Osram LED Boards
CCT:	3000K - 4000K
CRI:	≥80
Beam angle (°):	120°
Dimmable:	No**
Lifespan (hrs):	50,000hrs
Installation:	Suspended mounted
Material:	Extruded 6063 aluminium
Finish:	Clear anodised, black or white powder coat finish
Diffuser:	Flat high output opal-frost
Length:	Sold per metre*
Size (mm)	Profile (W) 75mm x (H) 95mm
Available Upon Request:	<ul style="list-style-type: none"> High Output LED Boards Intergrated Emergency



Aluminium Finish



White Finish



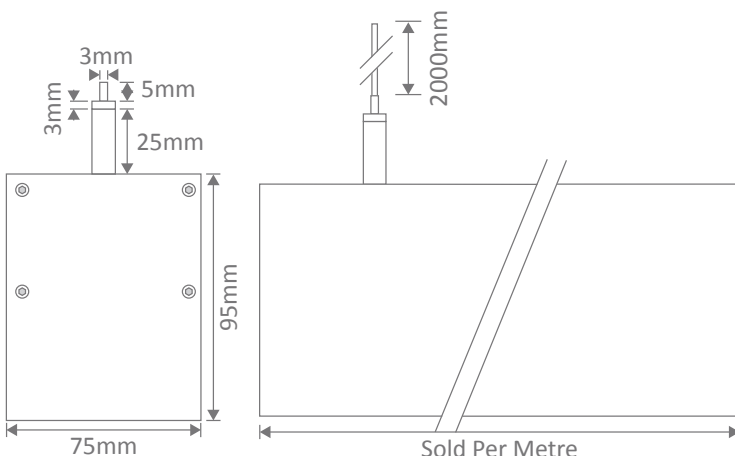
Back View

Note: This product is made to order and may have a lead time.

* Profile can be cut to any length required.

** Dali and 0-10V dimming available upon request

Diagrams / Additional



Item No.	Variant	Colour
Max-75-DN Suspended (BLK)	22376	3000K
	22377	4000K

Item No.	Variant	Colour
Max-75-DN Suspended (ALU)	22372	3000K
	22373	4000K

Item No.	Variant	Colour
Max-75-DN Linear Pendant (WHT)	22380	3000K
	22381	4000K