

## Max-50-UD 1M LED Suspended Profile



### Description

The Max-50 Up-Down suspension pendant is designed to suit commercial and residential applications, this profile system incorporates an extruded aluminium body with flat PMMA diffuser, and Osram Led boards. The system offers many additional options such as Dali dimming and emergency upon request.

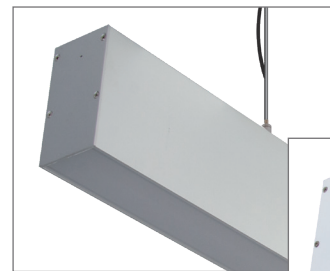
### Specification Features

Input Voltage:	240V
Power (W):	34.6W/Per Metre
IP rating (IP):	20
Lumens (lm):	Warm White 3000K - 2x2466lm Neutral White 4000K - 2x2600lm
LED type:	Osram LED Boards
CCT:	3000K - 4000K
CRI:	≥80
Beam angle (°):	120°
Dimmable:	No**
Lifespan (hrs):	50,000hrs
Installation:	Suspended Mounted
Material:	Extruded 6063 aluminium
Finish:	Clear anodised, black or white powder coat finish
Diffuser:	Flat high output opal-frost
Length:	Sold per metre*
Size (mm)	Profile (W) 50mm x (H) 90mm
Available Upon Request:	<ul style="list-style-type: none"> <li>• High Output LED Boards</li> <li>• Intergrated Emergency</li> </ul>

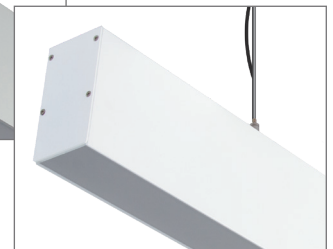
*Note: This product is made to order and may have a lead time.*

\* Profile can be cut to any length required.

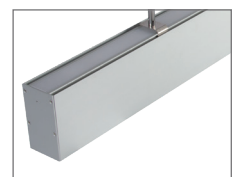
\*\* Dali and 0-10V dimming available upon request



Aluminium Finish

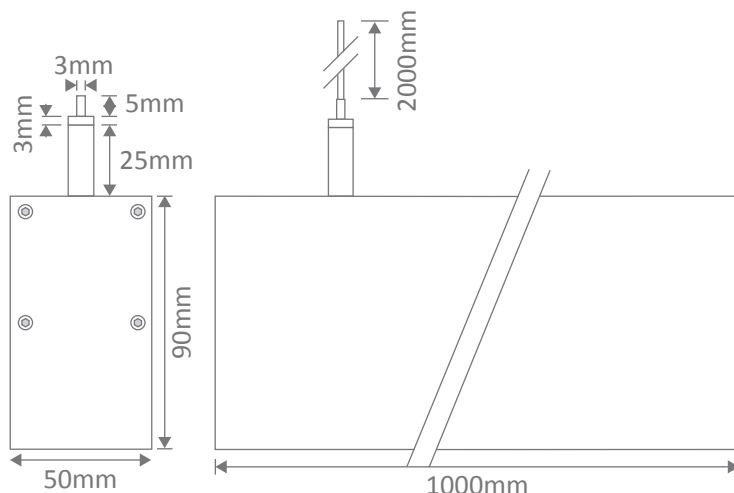


White Finish



Back View

### Diagrams / Additional



Item No.	Variant	Colour
MAX-50-UD Suspended (BLK)	22340	3000K
	22341	4000K

Item No.	Variant	Colour
MAX-50-UD Suspended (ALU)	22336	3000K
	22337	4000K

Item No.	Variant	Colour
MAX-50-UD Suspended (WHT)	22344	3000K
	22345	4000K