

## Key-MR16-Trio Tricolour LED lamp



### Description

6W 12V globe, MR16 shape, with a 60° wide beam for better light projection. Tricolour switchable: choose between Warm White 3000K, Neutral White 4000K, or White 6500K colour temperatures with the flick of a dip switch. Requires 12V DC Constant Voltage LED Driver.

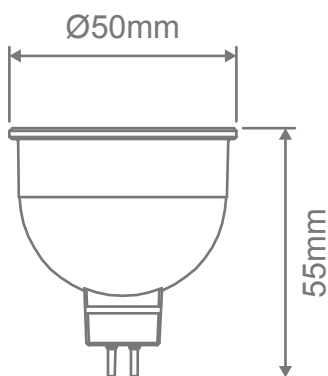


### Specification Features

Input Voltage:	12V DC*
Power (W):	6W
IP rating (IP):	20
Lumens (lm):	Warm White 3000K - 500lm Neutral White 4000K - 550lm White 6500K - 550lm
LED type:	SMD
CCT:	3000K - 4000K - 6500K (Switchable)
CRI:	≥80
Beam angle (°):	60°
Dimmable:	No
Lifespan (hrs):	50,000hrs

\*12V DC Constant Voltage LED Driver required

### Diagrams / Additional



Item No.	Variant	CCT
KEY-MR16-TRIO	65122	TRIO