

HYDRO-60-EM Emergency LED Batten



Description

The HYDRO LED Weatherproof Batten series is a direct replacement to traditional T8 and T5 Fluorescent battens. Custom designed to colour match concrete ceilings, and incorporating a “quick fix” solution to allow for ease and speed of installation. Constructed from high-quality and high impact resistant polycarbonate, with a high transparency frosted polycarbonate diffuser. Available in 600mm and 1200mm lengths, as well as Tricolour switchable: choose between Warm White 3000K, Neutral White 4000K, or White 5500K colour temperatures with the flick of a dip switch. Suitable for domestic applications such as underground basements, garages, and outdoor areas. Also commercially for underground carparks. Choose between attached grey plastic clips or supplied Stainless Steel clips depending on your installation preference.

Specification Features

Input Voltage:	240V	
Power (W):	7.5W-15W (Switchable)	
IP rating (IP):	IP65	
LED type:	SMD	
CCT:	3000K - 4000K - 5000K (Switchable)	
Lumens (lm):	7.5W	15W
	Warm White 3000K - 950lm	Warm White 3000K - 1850lm
	Neutral White 4000K - 980lm	Neutral White 4000K - 1900lm
	White 5000K - 950lm	White 5000K - 1850lm
CRI:	≥80	
Beam angle (°):	120°	
Dimmable:	No	
Lifespan (hrs):	50,000hrs	
Installation:	Surface mounted or suspended	

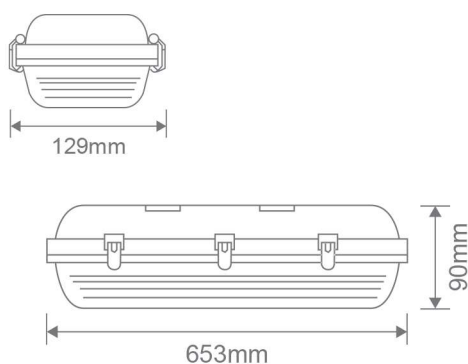


Emergency Specification Features

Compliance:	Fully complaint to AS/NZS 2293 standards
Battery:	LiFePO4 battery type, 6.4V, 7 Hour Charging Time, 1.5 Hours Discharging Time
Battery Capacity:	1500 mAh at 0.2 CmA
Emergency:	Non Maintained / Maintained
Rated Duration:	120 Min
Classification:	CO: D50, C90: D32



Diagrams / Additional



Item No.	Variant			CCT
	Non-Dim	On/Off Sensor	Dim Sensor	
HYDRO-60-EM	66020	66030	66031	TRIO