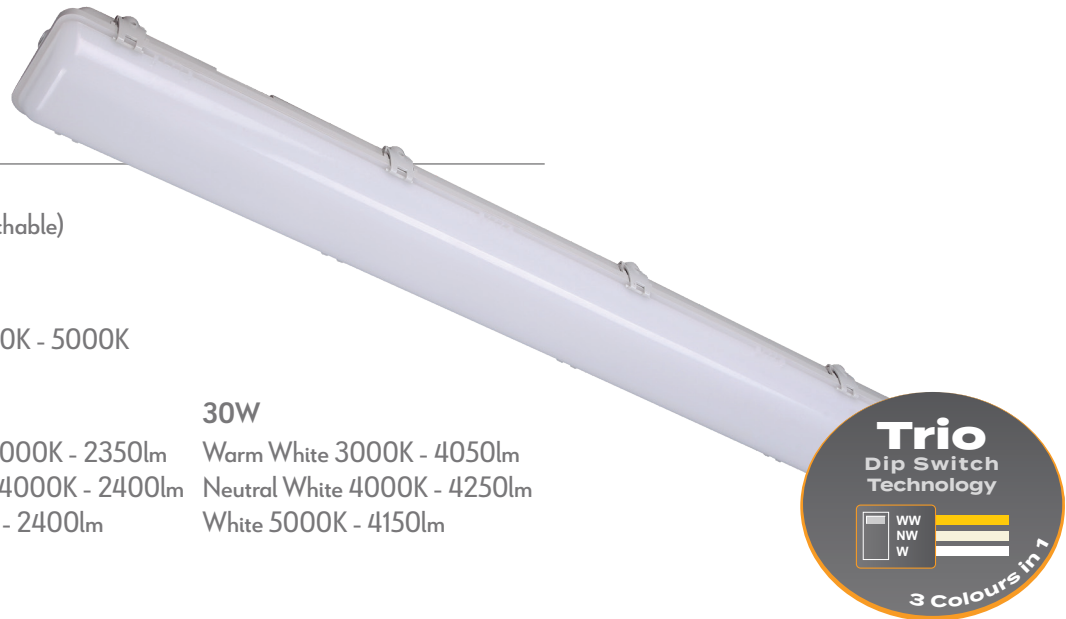


HYDRO-120 LED Batten



Description

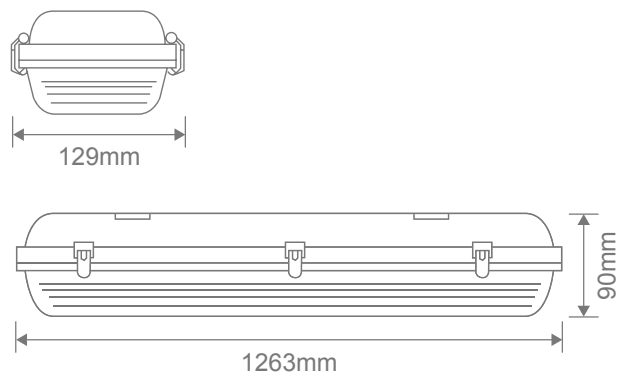
The HYDRO LED Weatherproof Batten series is a direct replacement to traditional T8 and T5 Fluorescent battens. Custom designed to colour match concrete ceilings, and incorporating a "quick fix" solution to allow for ease and speed of installation. Constructed from high-quality and high impact resistant polycarbonate, with a high transparency frosted polycarbonate diffuser. Available in 600mm and 1200mm lengths, as well as Tricolour switchable: choose between Warm White 3000K, Neutral White 4000K, or White 5000K colour temperatures with the flick of a dip switch.. Suitable for domestic applications such as underground basements, garages, and outdoor areas. Also commercially for underground carparks. Choose between attached grey plastic clips or supplied Stainless Steel clips depending on your installation preference.



Specification Features

Input Voltage:	240V	
Power (W):	15-30W (Switchable)	
IP rating (IP):	IP65	
LED type:	SMD	
CCT:	3000K - 4000K - 5000K (Switchable)	
Lumens (lm):	15W	30W
	Warm White 3000K - 2350lm	Warm White 3000K - 4050lm
	Neutral White 4000K - 2400lm	Neutral White 4000K - 4250lm
	White 5000K - 2400lm	White 5000K - 4150lm
CRI:	≥80	
Beam angle (°):	120°	
Dimmable:	No	
Lifespan (hrs):	50,000hrs	
Installation:	Surface mounted or suspended	

Diagrams / Additional



Item No.	Variant			CCT
	Non-Dim	On/Off Sensor	Dim Sensor	
HYDRO-120	66017	66025	66026	TRIO