

## ELITE SPIKE Garden Light



### Description

The ELITE-SPIKE completes the family range. The ELITE-SPIKE is a contemporary garden spike light designed for highlighting special features within your landscape environment. Made from a solid 6063 grade aluminium and clear anodised for a spectacular long lasting finish that's suitable for the harshest of environments including coastal areas. The ELITE-SPIKE comes complete with either a 6W replaceable LED lamp (complimentary) or as body only with no lamp. The ELITE-SPIKE is coupled with a 1.5mtr rubberised cable and plastic spike for easy installation.



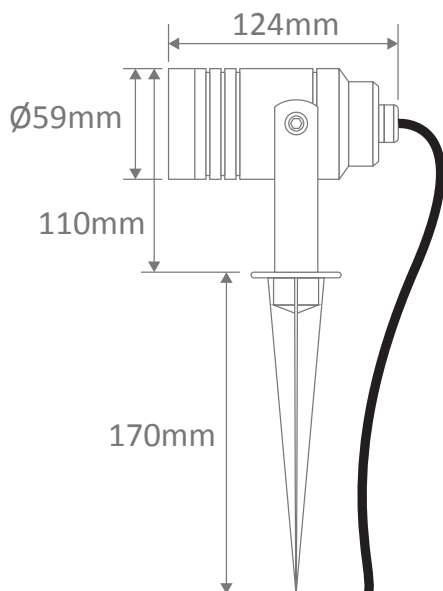
### Specification Features

Input Voltage:	12V DC
Power (W):	6W (if used with supplied lamp)
IP rating (IP):	65
Lumens (lm):	Warm White 3000K - 450lm White 5000K - 500lm
LED type:	MR16
CCT:	3000K - 5000K
CRI:	≥80
Beam angle (°):	60°
Dimmable:	No
Lifespan (hrs):	50,000hrs

*Requires 12V DC Constant Voltage LED Driver – Wire in Parallel*

*Please note: The above information is applied if using the supplied complimentary lamp. If any other lamp is used please take notice of the supplier's recommendations before connection.*

### Diagrams / Additional



Item No.	Variant		CCT
	Blk	Wht	
ELITE-SPIKE	19668	19501	Warm White
	19667	19500	White
	19666	19499	No Lamp (Body Only)