

Sunsolar-1

Solar powered LED 2Mpost top area light kit



Description

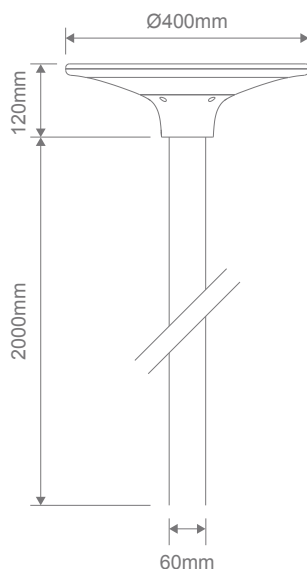
SUNSOLAR-1 Series is a solar powered LED post top area light. Ideal for areas where it is too difficult or expensive to run mains cables, such as farms, parklands, and large backyard areas. Suitable for 60mm posts. 3000K Warm White or 4000K Neutral White colour switchable via switch. Constructed from ABS polymer and a polycarbonate opal diffuser, which is V0 fireproof, Anti-UV and has an IP65 rating, ideal for coastal areas. The SUNSOLAR-1 automatically turns on at dusk and stays on until dawn. SUNSOLAR-1-KIT comes complete with post top area light head and 2m x 60mm aluminium post in Black. Other length posts available upon request.

Specification Features

Power (W):	20W
IP rating (IP):	IP65
Lumens (lm):	Warm White 3000K - 2100lm Neutral White 4000K - 2100lm
LED type:	SMD
CCT:	3000K - 4000K (Switchable)
CRI:	80≥
Beam angle (°):	360°
Dimmable:	No
Lifespan (hrs):	50,000hrs
Battery:	32700/6.4Vx6000MAH/38.4Wh
Charging Time:	4-6hrs
Lighting Time:	>32h
Material:	ABS and PC Opal Diffuser



Diagrams / Additional



Item No.	Variant	CCT
	BLK	

SUNSOLAR-1-KIT	10304	DUO
----------------	-------	-----