

SENSOR-SM-01

Specifications

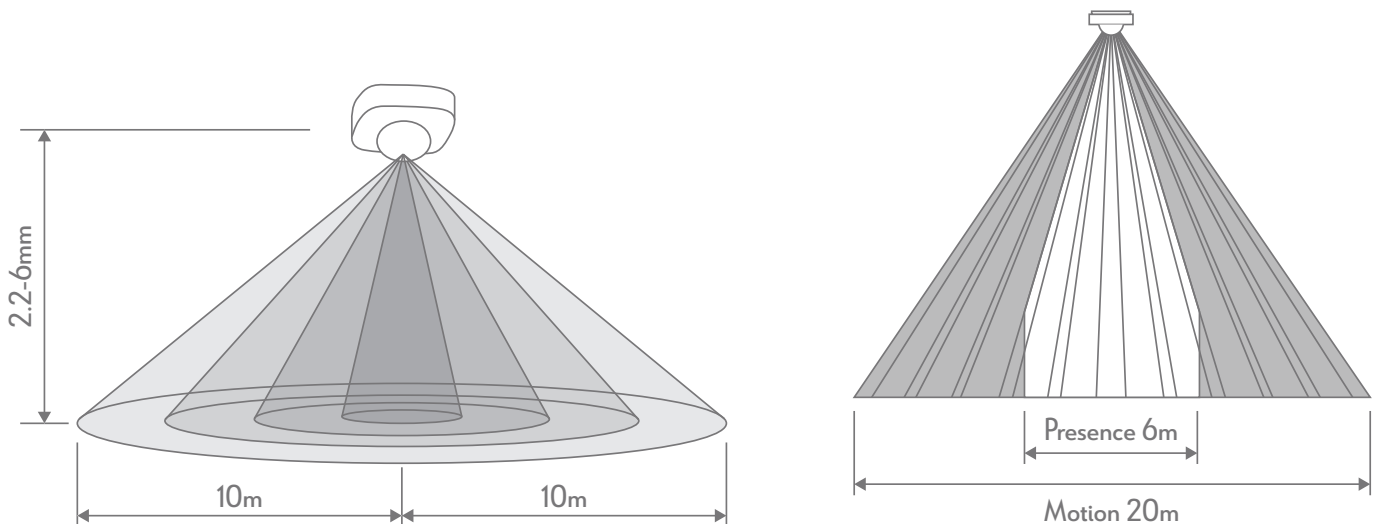
Voltage:	240V	Time Delay:	Min.10sec±3sec Max.30min±2min	Working Temperature:	-20~+40°C
Power:	0.5W	Rated Load (LED):	1000W - 16A	Working Humidity:	<93%RH
IP Rating:	IP65*	Detection Range:	360°	Power Consumption:	Approx 0.5W
Ambient Light:	<3-2000LUX (adjustable)	Detection Distance:	20m max(<24°C)	Installation Height	2.2-6M

*The terminal cover must be used in order to maintain IP65 rating.

Manual Override Function:

- Sensor mode - Stay on.
- Now switch the wall switch OFF-ON, OFF-ON twice within 3 seconds. The sensor will now hold the light ON continuously just like a normal light.
- Stay on - Sensor mode (The following either method is ok).
- To return your sensor to the automatic mode, switch your wall switch OFF, then switch ON after 0.3 seconds.
- If the light is left ON (not changing the sensor to sensor mode manually), the sensor itself will automatically return to the sensor mode after 8 hours.

Sensor Information:



Height of installation: 2.2-6m

Detection Distance: Max 20m

Note: -The lamp must be installed by professional electrician
-Ensure the power supply is switched off before fitting this product

-Do not touch the lamp when in use
-Keep away from hot steam and corrosive gas

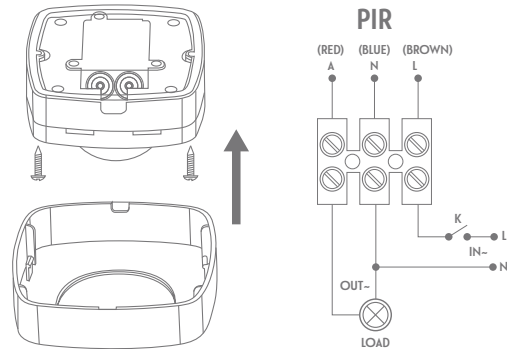
Installation Advice:

As the detector responds to changes in temperature, avoid the following situations:

- Pointing the detector towards objects with highly reflective surfaces, such as mirrors etc.
- Mounting the detector near heat sources, such as heating vents, air conditioning units, light etc.
- Pointing the detector towards objects that may move in the wind, such as curtains, tall plants etc.

Connection:

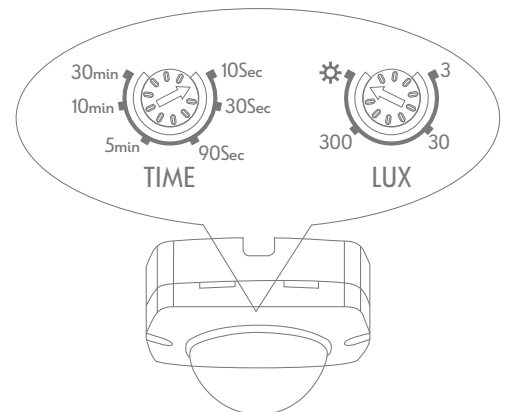
- Remove the cover directly.
- Connect the power and the load into the connection-wire column of the sensor according to connection-wire diagram.
- Set the sensor to the selected position with the indicator dials as the figure on the right.
- Install the cover back over sensor to complete installation ready for testing.



Connection Wire Diagram

Test:

- Turn the TIME knob anti-clockwise on the minimum (10Sec). Turn the LUX knob clockwise on the maximum (⚙️).
- Switch on the power; the sensor and its connected lamp will have no signal at the beginning. After Warm-up 30sec, the sensor can start working. If the sensor receives the induction signal, the lamp will turn on. While there is no another induction signal any more, the load should stop working within $10\text{sec} \pm 3\text{sec}$ and the lamp would turn off.
- Turn LUX knob anti-clockwise on the minimum (3). If the ambient light is more than 3LUX, the sensor would not work and the lamp stop working too. If the ambient light is less than 3LUX (darkness), the sensor would work. Under no induction signal condition, the sensor should stop working within $10\text{sec} \pm 3\text{sec}$.



Note: when testing in daylight, please turn LUX knob to (⚙️) position, otherwise the sensor lamp could not work. If the lamp is more than 60W, the distance between lamp and sensor should be 60cm at least.

- The load do not work:
 - Check if the connection-wiring of power and load is correct.
 - Check if the load is good.
 - Check if the working light sets correspond to ambient light.
- The sensitivity is poor:
 - Check if there has any hindrance in front of the detection window to affect to receive the signal.
 - Check if the ambient temperature is too high.
 - Check if the induction signal source is in the detection fields.
 - Check if the installation height corresponds to the height showed in the instruction.
 - Check if the moving orientation is correct.
- The sensor can not shut off the load automatically:
 - Check if there is continual signal in the detection field.
 - Check if the time delay is the longest.
 - Check if the power corresponds to the instruction.

Note: -The lamp must be installed by professional electrician
-Ensure the power supply is switched off before fitting this product

-Do not touch the lamp when in use
-Keep away from hot steam and corrosive gas