

Blaze-Pro-50 Floodlight F&P



Description

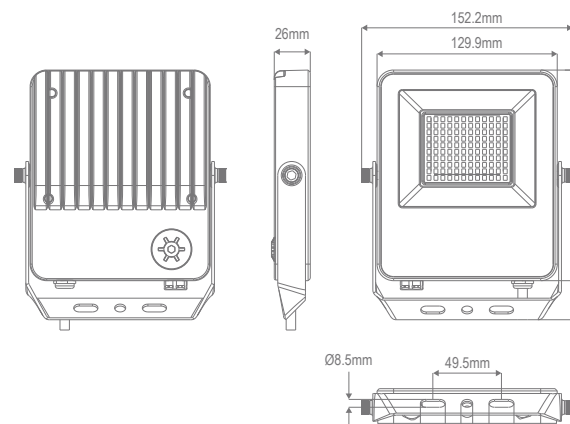
The BLAZE-PRO Series of LED Floodlights offer a sleek and stylish design, as well as an array of specialised features such as improved condensation prevention technology along with helping to reduce stock inventory. Featuring an aluminium fascia design with frosted glass lens to soften glare, IP66 rating and a unique anti-condensation breathing valve which stops unwanted condensation build-up behind the glass lens. The Multi-wattage selector switch offers the flexibility of selecting the right light output for the application within the same fitting. The tri-colour selector switch also offers the convenience of choosing between a 3000K Warm White, 4000K Neutral White or 5500K White colour temperature options. All models feature a Sensor Adaptor Interface to install the optional PIR Sensor (BLAZE-PRO-PIR). The optional sensor is a Plug-N-Play accessory that instantly converts the BLAZE-PRO floodlights into LED floodlights with sensor models. Complete with 1.5M flex and plug, as well as all angle installation bracket for ease of installation. Ideal for BBQ areas, outdoor entertaining areas, and backyard lighting. Available in Black and White colour options. Backed by a 3 Year Replacement Warranty.

Specification Features

Input Voltage:	240V
Power:	20W/30W/50W
IP rating:	IP66
Lumens:	Warm White 3000K - 2250lm, 3230lm, 5060lm Neutral White 4000K - 2360lm, 3230lm, 5060lm White 5500K - 2380lm, 3430lm, 5360lm
LED type:	SMD
CCT:	3000K - 4000K - 5500K
Luminous Efficacy:	110lm/W
CRI:	≥70
Beam angle:	120°
Dimmable:	No
Lifespan:	20,000 hrs
Driver:	DOB (driver on board)
Surge Protection:	4.5KV
Sensor:	Built-in Sensor Adaptor Interface
Cable:	1.5M flex and plug Frosted Glass Anti-Condensation Breathing Valve



Diagrams / Additional



PECELL Sensor Features (see Sensor Data Sheet)

Voltage and current:	5V DC, 10mA
Lux Level:	10Lux/20Lux/50Lux/100Lux
IP Rating:	IP65
Operating Temperature:	-30°C - 40°C
Installation height:	≤8M
Remote Control Distance:	0-8M

PIR Sensor Features (see Sensor Data Sheet)

Left/Right Adjustment:	90°
Up/Down Adjustment:	180°
Sensor Control:	ON/OFF
Time Delay Settings:	1, 3, 6 & 12Min
Sensitivity Settings:	25%, 50%, 75% & 100%
Sensitivity Distance:	2-8M
IP Rating:	IP65

Item No.	Variant		CCT
	Blk	Wht	
BLAZE-PRO-50	19916	19917	TRIO
BLAZE-PRO-PIR	19926	19927	N/A
BLAZE-PRO-PECELL	19928	19929	N/A
BLAZE-PRO-BKT	19923	N/A	N/A

Blaze-Pro-100 Floodlight F&P



Description

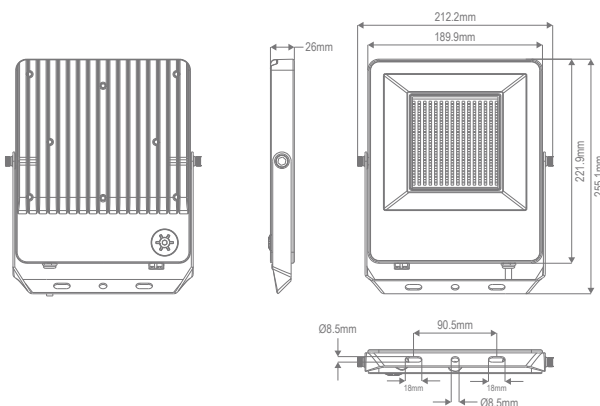
The BLAZE-PRO Series of LED Floodlights offer a sleek and stylish design, as well as an array of specialised features such as improved condensation prevention technology along with helping to reduce stock inventory. Featuring an aluminium fascia design with frosted glass lens to soften glare, IP66 rating and a unique anti-condensation breathing valve which stops unwanted condensation build-up behind the glass lens. The Multi-wattage selector switch offers the flexibility of selecting the right light output for the application within the same fitting. The tri-colour selector switch also offers the convenience of choosing between a 3000K Warm White, 4000K Neutral White or 5500K White colour temperature options. All models feature a Sensor Adaptor Interface to install the optional PIR Sensor (BLAZE-PRO-PIR). The optional sensor is a Plug-N-Play accessory that instantly converts the BLAZE-PRO floodlights into LED floodlights with sensor models. Complete with 1.5M flex and plug, as well as all angle installation bracket for ease of installation. Ideal for BBQ areas, outdoor entertaining areas, and backyard lighting. Available in Black and White colour options. Backed by a 3 Year Replacement Warranty.

Specification Features

Input Voltage:	240V
Power:	50W/70W/100W
IP rating:	IP66
Lumens:	Warm White 3000K - 6040lm, 8100lm, 10750lm Neutral White 4000K - 6510lm, 8950lm, 12150lm White 5500K - 6450lm, 8590lm, 12150lm
LED type:	SMD
CCT:	3000K - 4000K - 5500K
Luminous Efficacy:	110lm/W
CRI:	≥70
Beam angle:	120°
Dimmable:	No
Lifespan:	20,000 hrs
Driver:	DOB (driver on board)
Surge Protection:	4.5KV
Sensor:	Built-in Sensor Adaptor Interface
Cable:	1.5M flex and plug Frosted Glass Anti-Condensation Breathing Valve



Diagrams / Additional



Item No.	Variant		CCT
	Blk	Wht	
BLAZE-PRO-100	19918	19919	TRIO
BLAZE-PRO-PIR	19926	19927	N/A
BLAZE-PRO-PECELL	19928	19929	N/A
BLAZE-PRO-BKT	19923	N/A	N/A



PECELL Sensor Features (see Sensor Data Sheet)

Voltage and current:	5V DC, 10mA
Lux Level:	10Lux/20Lux/50Lux/100Lux
IP Rating:	IP65
Operating Temperature:	-30°C - 40°C
Installation height:	≤8M
Remote Control Distance:	0-8M

PIR Sensor Features (see Sensor Data Sheet)

Left/Right Adjustment:	90°
Up/Down Adjustment:	180°
Sensor Control:	ON/OFF
Time Delay Settings:	1, 3, 6 & 12Min
Sensitivity Settings:	25%, 50%, 75% & 100%
Sensitivity Distance:	2-8M
IP Rating:	IP65

Blaze-Pro-200 Floodlight F&P



Description

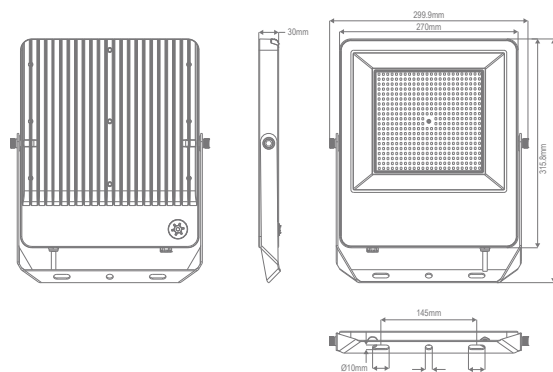
The BLAZE-PRO Series of LED Floodlights offer a sleek and stylish design, as well as an array of specialised features such as improved condensation prevention technology along with helping to reduce stock inventory. Featuring an aluminium fascia design with frosted glass lens to soften glare, IP66 rating and a unique anti-condensation breathing valve which stops unwanted condensation build-up behind the glass lens. The Multi-wattage selector switch offers the flexibility of selecting the right light output for the application within the same fitting. The tri-colour selector switch also offers the convenience of choosing between a 3000K Warm White, 4000K Neutral White or 5500K White colour temperature options. All models feature a Sensor Adaptor Interface to install the optional PIR Sensor (BLAZE-PRO-PIR). The optional sensor is a Plug-N-Play accessory that instantly converts the BLAZE-PRO floodlights into LED floodlights with sensor models. Complete with 1.5M flex and plug, as well as all angle installation bracket for ease of installation. Ideal for BBQ areas, outdoor entertaining areas, and backyard lighting. Available in Black and White colour options. Backed by a 3 Year Replacement Warranty.

Specification Features

Input Voltage:	240V
Power:	100W/150W/200W
IP rating:	IP66
Lumens:	Warm White 3000K - 11840lm, 17060lm, 21970lm Neutral White 4000K - 12780lm, 18720lm, 24380lm White 5500K - 12720lm, 18200lm, 23470lm
LED type:	SMD
CCT:	3000K - 4000K - 5500K
Luminous Efficacy:	110lm/W
CRI:	≥70
Beam angle:	120°
Dimmable:	No
Lifespan:	20,000 hrs
Driver:	DOB (driver on board)
Surge Protection:	4.5KV
Sensor:	Built-in Sensor Adaptor Interface
Cable:	1.5M flex and plug Frosted Glass Anti-Condensation Breathing Valve



Diagrams / Additional



Item No.	Variant		CCT
	Blk	Wht	
BLAZE-PRO-200	19920	19921	TRIO
BLAZE-PRO-PIR	19926	19927	N/A
BLAZE-PRO-PECELL	19928	19929	N/A
BLAZE-PRO-BKT	19923	N/A	N/A



PECELL Sensor Features (see Sensor Data Sheet)

Voltage and current:	5V DC, 10mA
Lux Level:	10Lux/20Lux/50Lux/100Lux
IP Rating:	IP65
Operating Temperature:	-30°C - 40°C
Installation height:	≤8M
Remote Control Distance:	0-8M

PIR Sensor Features (see Sensor Data Sheet)

Left/Right Adjustment:	90°
Up/Down Adjustment:	180°
Sensor Control:	ON/OFF
Time Delay Settings:	1, 3, 6 & 12Min
Sensitivity Settings:	25%, 50%, 75% & 100%
Sensitivity Distance:	2-8M
IP Rating:	IP65

Blaze-Pro-Pir Plug & Play Sensor



Description

All models feature a Sensor Adaptor Interface to install the optional PIR Sensor (BLAZE-PRO-PIR). The optional sensor is a Plug-N-Play accessory that instantly converts the BLAZE-PRO floodlights into LED floodlights with sensor models. Available in Black and White colour options.

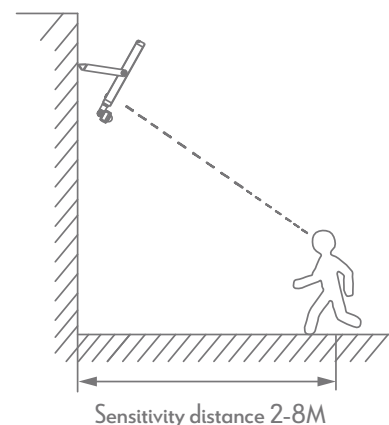
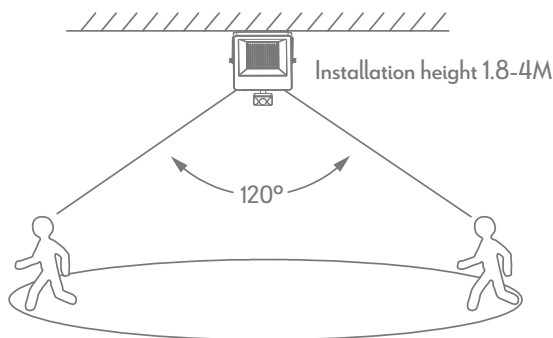
Specification Features

- Left/Right Adjustment: 90°
- Up/Down Adjustment: 180°
- Sensor Control: ON/OFF
- Time Delay Settings: 1, 3, 6 & 12Min
- Sensitivity Settings: 25%, 50%, 75% & 100%
- Sensitivity Distance: 2-8M
- IP Rating: IP65

Requires: CR2025 Battery (not included)



Item No.	Variant	
	Blk	Wht
BLAZE-PRO-PIR	19926	19927



Press the power off button to turn off the fixture.

Press to power ON the light for 5s by default, then enter the last saved parameter state to be commanded.

Light turns on at 100% when motion is detected, and turns off after no motion.

Light turns on at 100% when motion is detected, and remains 10% brightness after no motion.

Delay time setting, a total of eight gears, 10s, 30s, 60s, 90s, 3min, 6min, 12min, 15min press the button and light flashes once.

Sensor ON Button enters the last saved parameter state to be commanded.

Sensor OFF Button turns on constant light mode.

Restore factory settings button, default mode 1, delay time 30s, illumination 20lux, sensitivity 50%

Light turns on at 100% when motion is detected, and remains 20% brightness after no motion.

Sensitivity settings, total of four gears, 25%, 50%, 75%, 100%. Press the button and the light flashes once.

Illumination value settings, a total of four gears, 10lux, 20lux, 50lux, 100lux press the button and the light flashes once.

Blaze-Pro-Pecell Plug & Play Daylight Sensor



Description

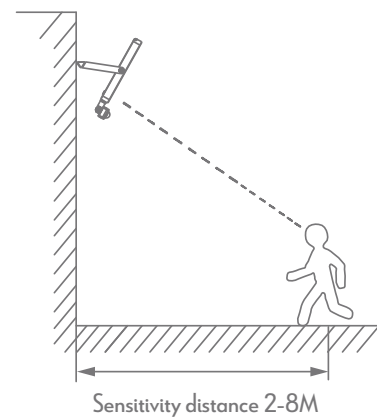
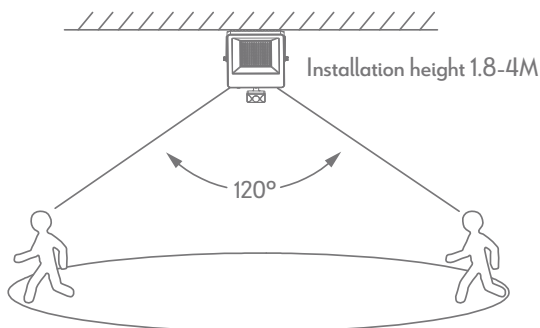
The optional BLAZE-PRO-PECELL Sensor is a Plug-N-Play accessory that instantly converts the BLAZE-PRO floodlights into LED floodlights with Photoelectric Cell Sensor models. This Sensor will automatically detect low light levels and turn on at dusk (or pre-selected setting) and turn off at dawn (or pre-selected setting) when light levels increase. The chosen Lux Level to activate can be selected via the remote. Choose from 10Lux/20Lux/50Lux/100Lux. Default Lux setting is 20Lux. All BLAZE-PRO models feature a Sensor Adaptor Interface to offer easy installation of the optional Daylight Sensor (BLAZE-PRO-PECELL), and also the PIR Sensor (BLAZE-PRO-PIR). Available in Black and White colour options.

Specification Features

Voltage and current: 5V DC, 10mA
 Lux Level: 10Lux/20Lux/50Lux/100Lux
 IP Rating: IP65
 Operating Temperature: -30°C - 40°C
 Installation height: ≤8M
 Remote Control Distance: 0-8M
 Requires: CR2025 Battery (not included)



Item No.	Variant	
	Blk	Wht
BLAZE-PRO-PECELL	19928	19929



Press to turn Off.

Press to power On the light for 15s by default, then enter the last saved parameter state to be commanded.

MODE 1, MODE 2, MODE 3 are invalid buttons

All buttons in HOLD TIME are invalid.

Sensor ON and Sensor OFF are invalid buttons.

Restore factory setting button, default illumination 20lux.

All buttons in SENSITIVITY and invalid.

Illumination valve settings, a total of four gears, 10lux, 20lux, 50lux, 100lux, press the button and the light flashes once.