

MODULA RND Inground Light



Description

The MODULA luminaire provides a practical solution for all inground lighting applications including pathways, driveways, courtyards and decks. Utilising a solid aluminium CNC machined external fascia plate in anodised Titanium finish coupled with a 6063 graded aluminium body in a black anodised finish.

The MODULA recessed inground luminaire utilises the latest in Citizen COB technology offering unsurpassed performance and optical lighting control. A polycarbonate housing is provided for concrete applications. The MODULA is a fantastic addition when used as a source for tree up lighting or external fascia, garden walls.

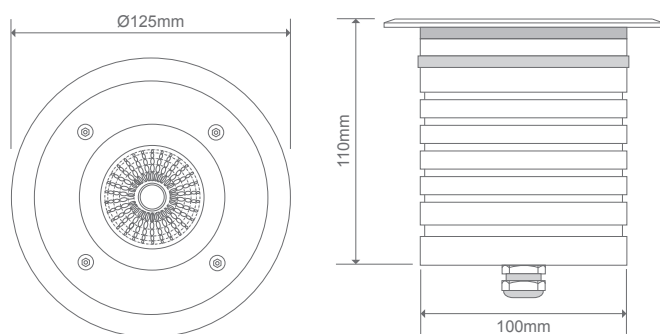


Specification Features

Input Voltage:	24V DC*
Power (W):	9W
IP rating (IP):	65
Lumens (lm):	Warm White 3000K - 900lm White 5000K - 950lm
LED type:	Citizen COB
CCT:	3000K - 5000K
CRI:	≥83
Beam angle (°):	45°
Dimmable:	No
Lifespan (hrs):	50,000hrs
Cutout (∅):	∅105mm

*Requires 24V DC Constant Voltage LED Driver - Wire in Parallel.

Diagrams / Additional



Order Code:	19420
Product Code:	MODULA-RND-WW
Colour:	Anodised Aluminium - Warm White 3000K
Order Code:	19421
Product Code:	MODULA-RND-W
Colour:	Anodised Aluminium - White 5000K